

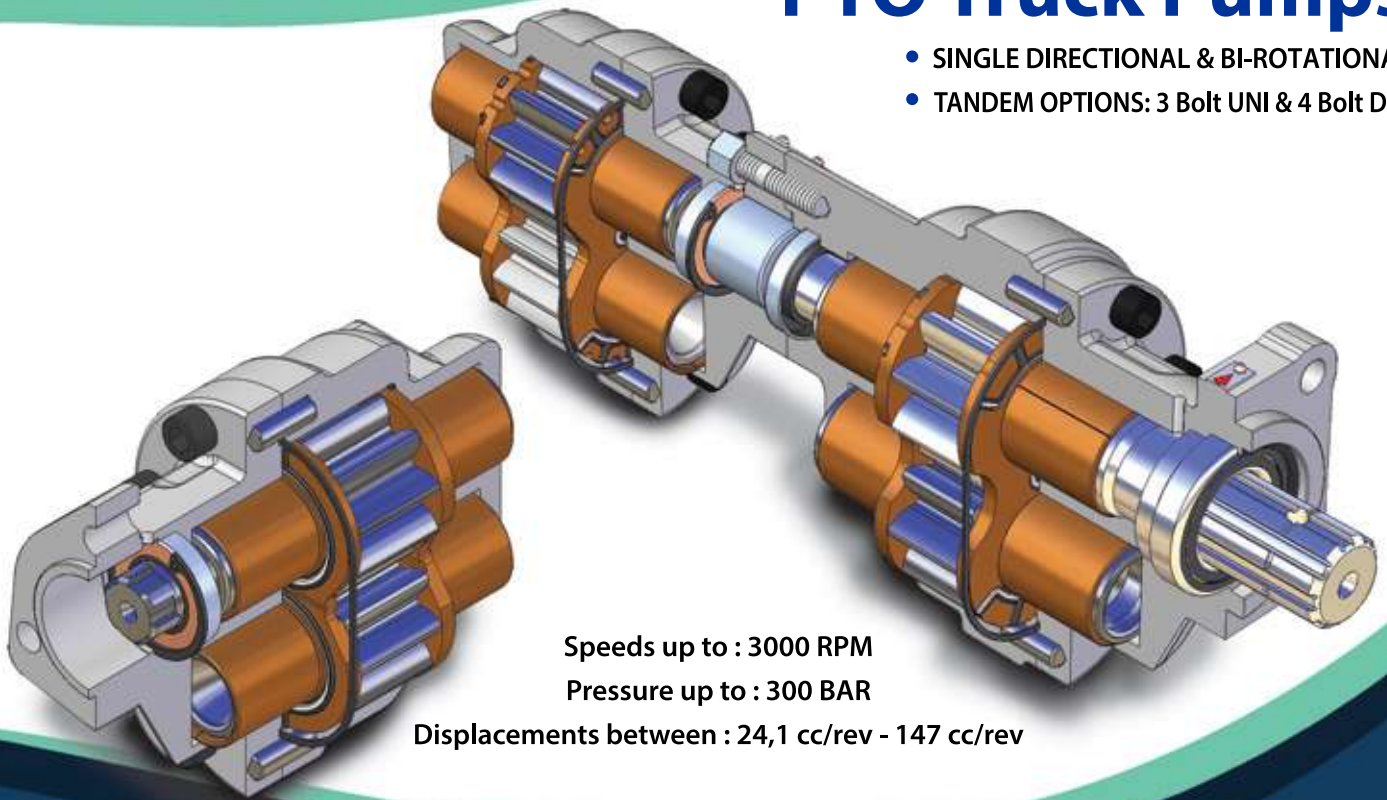


**GEAR PUMP MANUFACTURING**

**Getting the World into Gear**

## **PTO Truck Pumps**

- SINGLE DIRECTIONAL & BI-ROTATIONAL
- TANDEM OPTIONS: 3 Bolt UNI & 4 Bolt DIN



Speeds up to : 3000 RPM

Pressure up to : 300 BAR

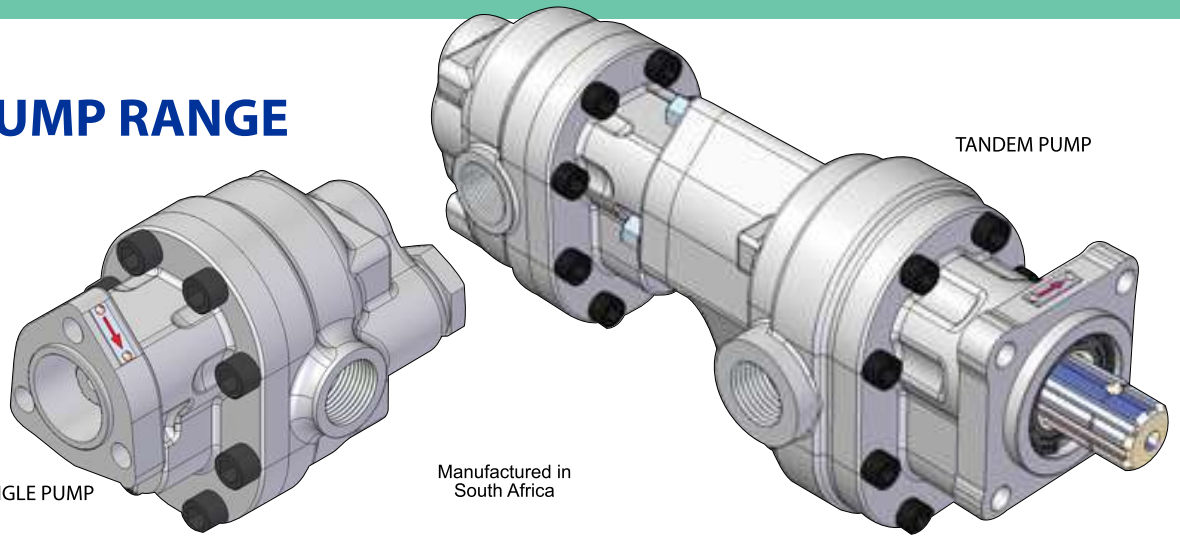
Displacements between : 24,1 cc/rev - 147 cc/rev



# PTO GEAR PUMP RANGE

## Pump Specifications

SINGLE PUMP



TANDEM PUMP

Manufactured in South Africa

### GP3

SINGLE & BI PUMPS

	cc/rev	Lpm (at 1000rpm)	cu in (cu in/rev)	Max Pressure ( bar )	Max Pressure ( psi )	Max Speed (rpm)	Pump Weight (kg)
<b>024 / 024 BI</b>	24.10	24.10	1.48	300	4300	3000	9.20
<b>032 / 032 BI</b>	32.20	32.20	1.97	300	4300	3000	9.75
<b>040 / 040 BI</b>	40.30	40.30	2.46	300	4300	3000	10.00
<b>048 / 048 BI</b>	48.30	48.30	2.96	300	4300	3000	10.65
<b>052 / 052 BI</b>	52.10	52.10	3.19	300	4300	2400	11.25
<b>062 / 062 BI</b>	62.60	62.60	3.82	300	4300	2400	11.85
<b>073 / 073 BI</b>	73.50	73.50	4.49	270	3900	2400	15.00
<b>080 / 080 BI</b>	80.60	80.60	4.92	270	3900	2400	15.15
<b>088 / 088 BI</b>	88.00	88.00	5.37	270	3900	2400	15.25
<b>102 -</b>	102.00	102.00	6.22	240	3500	2400	15.90
<b>118 -</b>	118.00	118.00	7.20	240	3500	2400	16.25
<b>132 -</b>	132.60	132.60	8.09	220	3200	2400	16.30
<b>147 -</b>	147.00	147.00	8.97	200	3000	2400	17.30

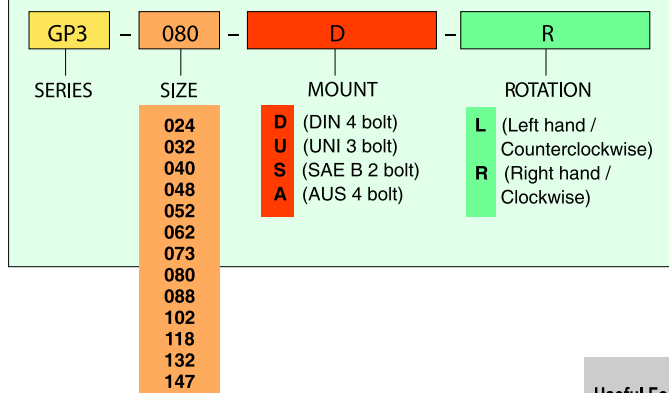
### GP3T

TANDEM PUMP

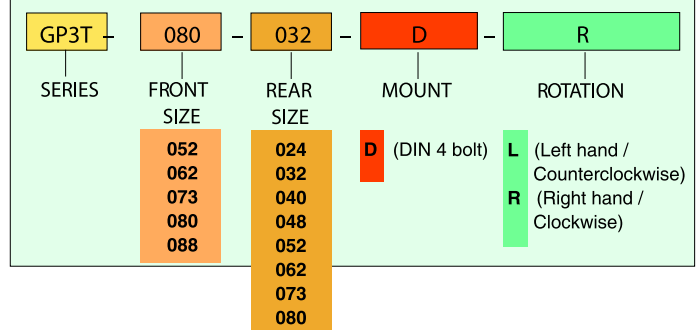
	cc/rev	Lpm (at 1000rpm)	cu in (cu in/rev)	Max Pressure ( bar )	Max Pressure ( psi )	Max Speed (rpm)	Pump Weight (kg)
<b>052</b>	52.10	52.10	3.19	300	4300	2400	12.90
<b>062</b>	62.60	62.60	3.82	300	4300	2400	13.65
<b>073</b>	73.50	73.50	4.49	270	3900	2400	16.10
<b>080</b>	80.60	80.60	4.92	270	3900	2400	16.55
<b>088</b>	88.00	88.00	5.37	270	3900	2400	16.80

THE ABOVE DATA ARE AVERAGE RESULTS BASED ON A SERIES OF TESTS AND ARE NOT NECESSARILY REPRESENTATIVE OF ANY SINGLE UNIT. GEAR PUMP MANUFACTURING RESERVES THE RIGHT TO AMEND THE TECHNICAL DATA WITHOUT NOTICE.

#### SINGLE PUMP ORDER CODES - EXAMPLE:



#### TANDEM PUMP ORDER CODES - EXAMPLE:



Useful Formulae	To Convert	Inches	Bar	Cu in/rev	US GPM	US GPM	kg
	Into	Millimeters	Psi	cc/rev	Cu In/rev	cc/rev	Lbs
	Multiply by	25.4	14.5	16.39	2.31	3.785	2.205

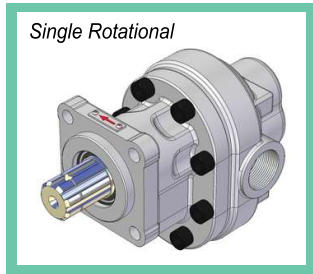
All product listed herein is product manufactured and/or supplied by Gear Pump Manufacturing (Pty) Limited (GPM), a South African manufacturer and supplier of replacement parts and components. "Commercial Intertech" is a registered trademark or copyright of the Parker Hannifin Corporation (Parker). Any reference to this entity, its trademark, copyright, product or reference number, is for product comparison and reference purposes only and as such, any referral thereto, should not be construed as implying in any way that Parker product is manufactured or supplied by GPM or that GPM is in any way associated with Parker.

Copyright © 2016 Gear Pump Manufacturing (Pty) Limited. All Rights Reserved. No part of this document may be reproduced in any form or manner without permission.

**SABS**  
**ISO 9001**

Manufactured in South Africa

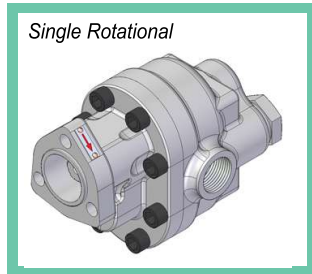
# PTO GEAR PUMP OPTIONS



Single Rotational

### DIN

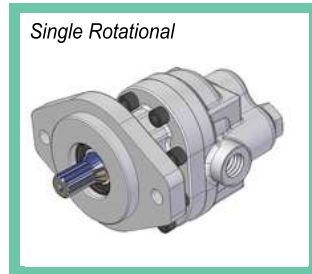
**MOUNT** 4 Holes (80 x 80)  
**PCD** 113,5 mm  
**SPIGOT** 80 mm  
**SHAFT** 8 Spline  
**SHAFT OD** 34,8 mm



Single Rotational

### UNI

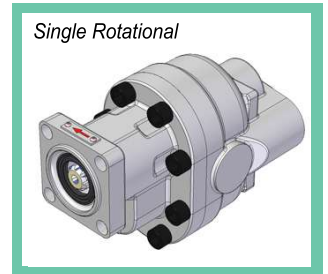
**MOUNT** 3 Holes  
**PCD** 72 mm  
**SPIGOT** 52 mm  
**SHAFT** 6 Spline  
**SHAFT OD** 24,6 mm



Single Rotational

### SAE

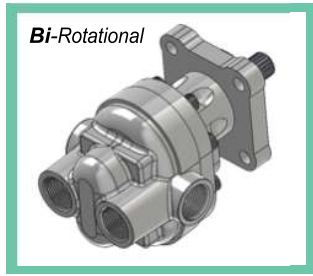
**MOUNT** 2 Holes  
**PCD** 146 mm  
**SPIGOT** 101,6 mm  
**SHAFT** 13 Spline  
**SHAFT OD** 22,2 mm



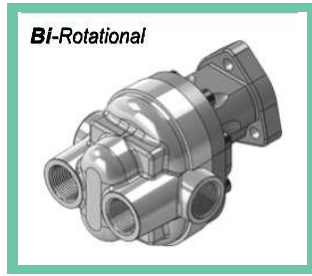
Single Rotational

### AUS

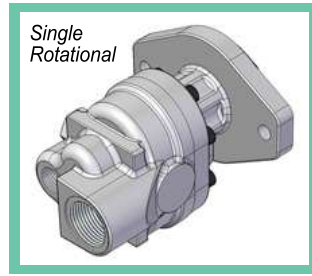
**MOUNT** 4 Holes (58 X 58)  
**PCD** 82,5 mm  
**SPIGOT** 62 mm  
**SHAFT** 8 Spline  
**SHAFT OD** 22 mm



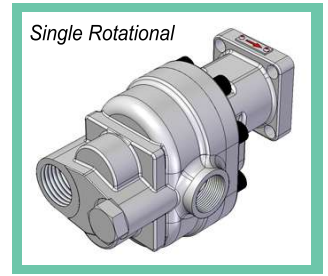
Bi-Rotational



Bi-Rotational



Single Rotational



Single Rotational

## PORTING SIZES

### SINGLE PUMP PORTING

DIN and UNI					SAE and AUS			
Size	SINGLE Inlet Side	SINGLE Outlet 1 Side	SINGLE Outlet 2 Rear	BI-ROTATIONAL Inlet/Outlet Side + Rear	Size	Inlet Side	Outlet 1 Side	Outlet 2 Rear
GP3-024	1" bsp	3/4" bsp	3/4" bsp	1" bsp	GP3-024	1 1/4" odt	3/4" odt	3/4" odt
GP3-032	1" bsp	3/4" bsp	3/4" bsp	1" bsp	GP3-032	1 1/4" odt	3/4" odt	3/4" odt
GP3-040	1" bsp	3/4" bsp	3/4" bsp	1" bsp	GP3-040	1 1/4" odt	3/4" odt	3/4" odt
GP3-048	1" bsp	3/4" bsp	3/4" bsp	1" bsp	GP3-048	1 1/4" odt	3/4" odt	3/4" odt
GP3-052	1" bsp	1" bsp	1" bsp	1" bsp	GP3-052	1 1/4" odt	3/4" odt	3/4" odt
GP3-062	1" bsp	1" bsp	1" bsp	1" bsp	GP3-062	1 1/4" odt	3/4" odt	3/4" odt
GP3-073	1 1/4" bsp	1" bsp	1" bsp	1 1/4" bsp	GP3-073	1 1/4" odt	3/4" odt	3/4" odt
GP3-080	1 1/4" bsp	1" bsp	1" bsp	1 1/4" bsp	GP3-080	1 1/2" odt	1" odt	1" odt
GP3-088	1 1/4" bsp	1" bsp	1" bsp	1 1/4" bsp	GP3-088	1 1/2" odt	1" odt	1" odt
GP3-102	1 1/4" bsp	1" bsp	1" bsp		GP3-102	1 1/2" odt	1" odt	1" odt
GP3-118	1 1/4" bsp	1" bsp	1" bsp		GP3-118	1 1/2" odt	1" odt	1" odt
GP3-132	1 1/2" bsp	1" bsp	1" bsp		GP3-132	1 1/2" odt	1" odt	1" odt
GP3-147	1 1/2" bsp	1" bsp	1" bsp		GP3-147	1 1/2" odt	1" odt	1" odt

### TANDEM PUMP PORTING

Front Pump			Rear Pump			
Size	Inlet Side	Outlet Rear	Size	Inlet Side	Outlet 1 Side	Outlet 2 Rear
GP3T-052	1" bsp	1" bsp	GP3-024	1" bsp	3/4" bsp	3/4" bsp
GP3T-062	1" bsp	1" bsp	GP3-032	1" bsp	3/4" bsp	3/4" bsp
GP3T-073	1 1/4" bsp	1" bsp	GP3-040	1" bsp	3/4" bsp	3/4" bsp
GP3T-080	1 1/4" bsp	1" bsp	GP3-048	1" bsp	3/4" bsp	3/4" bsp
GP3T-088	1 1/4" bsp	1" bsp	GP3-052	1" bsp	1" bsp	1" bsp
			GP3-062	1" bsp	1" bsp	1" bsp
			GP3-073	1 1/4" bsp	1" bsp	1" bsp
			GP3-080	1 1/4" bsp	1" bsp	1" bsp

Useful Formulae	To Convert	Inches	Bar	Cu in/rev	US GPM	US GPM	kg
	Into	Millimeters	Psi	cc/rev	Cu In/rev	cc/rev	lbs
	Multiply by	25.4	14.5	16.39	2.31	3.785	2.205

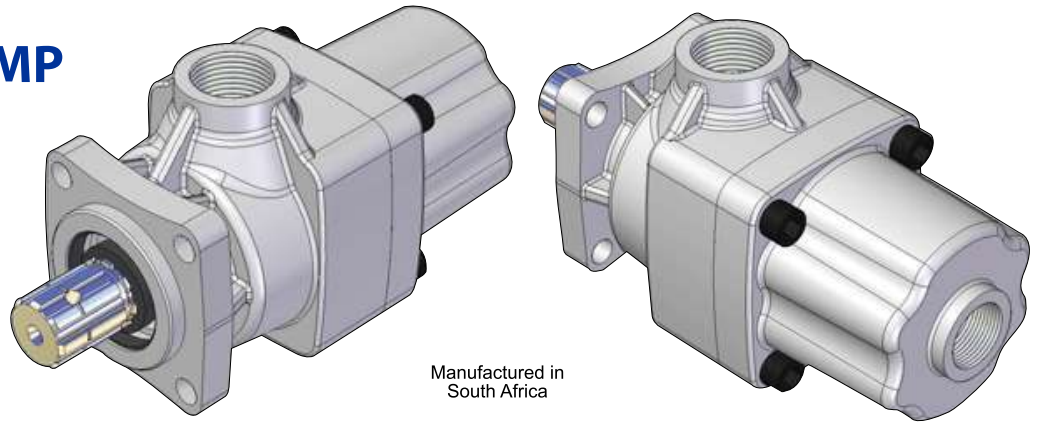
All product listed herein is product manufactured and/or supplied by Gear Pump Manufacturing (Pty) Limited (GPM), a South African manufacturer and supplier of replacement parts and components.  
 "Commercial Intertech" is a registered trademark or copyright of the Parker Hannifin Corporation (Parker). Any reference to this entity, its trademark, copyright, product or reference number, is for product comparison and reference purposes only and as such, any referral thereto, should not be construed as implying in any way that Parker product is manufactured or supplied by GPM or that GPM is in any way associated with Parker.

Copyright © 2016 Gear Pump Manufacturing (Pty) Limited. All Rights Reserved. No part of this document may be reproduced in any form or manner without permission.

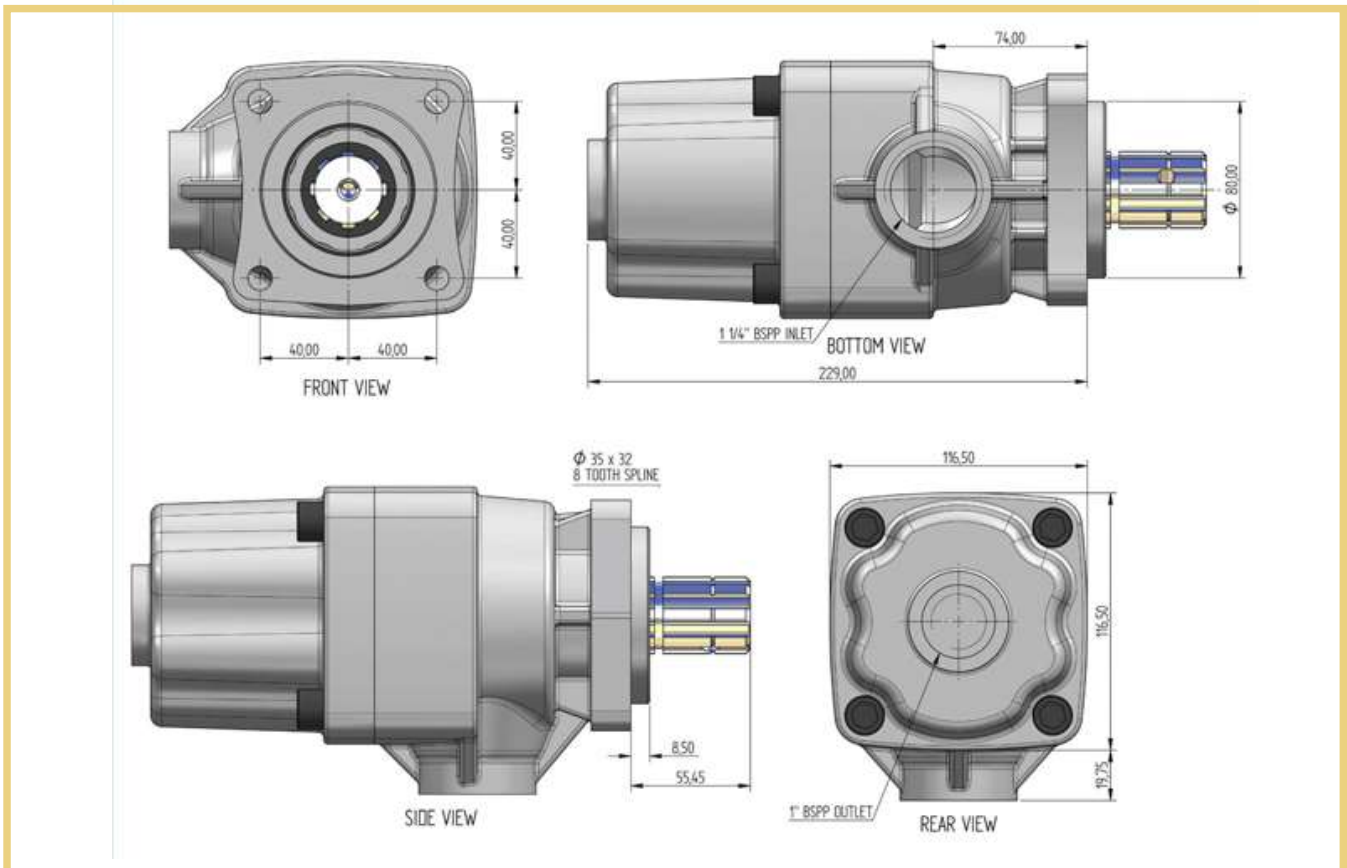


# PTO PISTON PUMP RANGE

## Pump Specifications



Manufactured in South Africa



### GP4

	cc/rev	Lpm (at 1000rpm)	cu in (cu in/rev)	Max Continuous Pressure ( bar )	Max Continuous Pressure ( psi )	Max Speed (rpm)	Pump Weight (kg)
<b>050</b>	50	50	3.05	350	5000	1800	13.6
<b>060</b>	60	60	3.66	350	5000	1800	13.6
<b>080</b>	80	80	4.92	300	4400	1600	17.0

#### PISTON PUMP ORDER CODES - EXAMPLE:

GP4	-	050	-	D	-	B
SERIES		SIZE		MOUNT		ROTATION
		050 060 080		D (DIN 4 bolt)		B (Bi Rotation)

All product listed herein is product manufactured and/or supplied by Gear Pump Manufacturing (Pty) Limited (GPM), a South African manufacturer and supplier of replacement parts and components.  
 "Commercial Intertech" is a registered trademark or copyright of the Parker Hannifin Corporation (Parker). Any reference to this entity, it's trademark, copyright, product or reference number, is for product comparison and reference purposes only and as such, any referral thereto, should not be construed as implying in any way that Parker product is manufactured or supplied by GPM or that GPM is in any way associated with Parker.

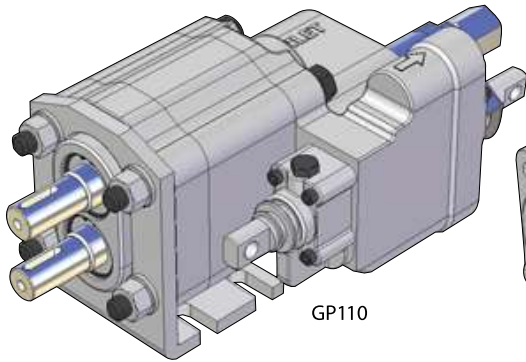
Copyright © 2015 Gear Pump Manufacturing (Pty) Limited. All Rights Reserved. No part of this document may be reproduced in any form or manner without permission.

**SABS**  
**ISO 9001**

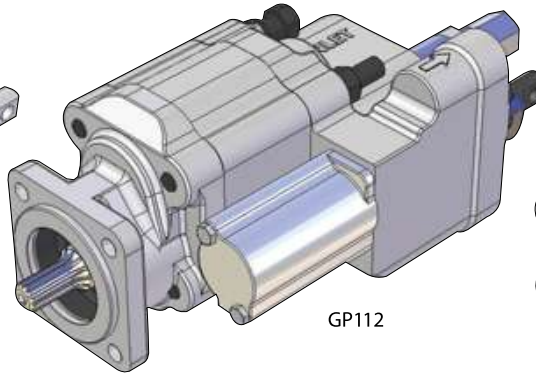
Manufactured in South Africa

# PTO DUMP PUMP RANGE

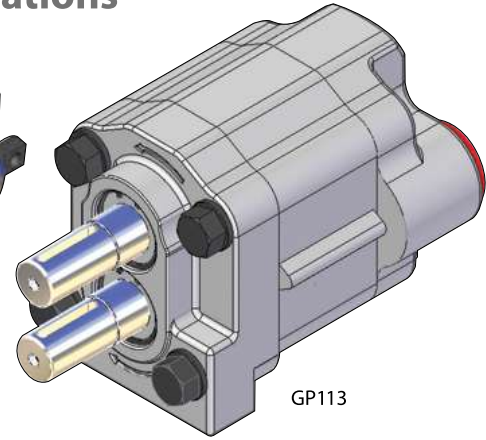
## Pump Specifications



GP110



GP112



GP113

### GP110

	cc/rev	Lpm (at 1000rpm)	cu in (cu in/rev)	Max Pressure ( bar )	Max Pressure ( psi )	Max Speed (rpm)	Pump Weight (kg)
15	62.60	62.60	3.82	170	2500	2400	27.8
20	83.50	83.50	5.10	153	2250	2400	29.1
22	94.00	94.00	5.74	138	2000	2400	29.8
25	104.40	104.40	6.38	138	2000	2400	30.2

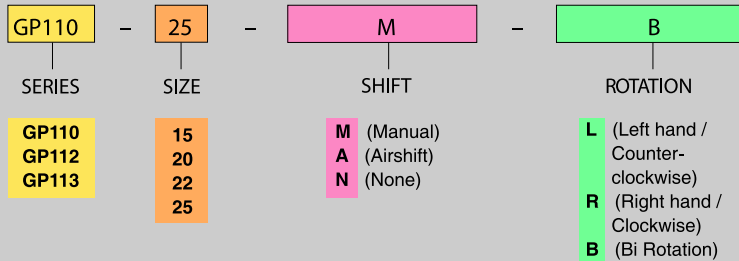
### GP112

	cc/rev	Lpm (at 1000rpm)	cu in (cu in/rev)	Max Pressure ( bar )	Max Pressure ( psi )	Max Speed (rpm)	Pump Weight (kg)
15	62.60	62.60	3.82	170	2500	2400	29.3
20	83.50	83.50	5.10	153	2250	2400	30.6
22	94.00	94.00	5.74	138	2000	2400	31.3
25	104.40	104.40	6.38	138	2000	2400	31.9

### GP113

	cc/rev	Lpm (at 1000rpm)	cu in (cu in/rev)	Max Pressure ( bar )	Max Pressure ( psi )	Max Speed (rpm)	Pump Weight (kg)
15	62.60	62.60	3.82	205	3000	2400	20.9
20	83.50	83.50	5.10	170	2500	2400	21.5
22	94.00	94.00	5.74	153	2250	2400	22.2
25	104.40	104.40	6.38	153	2250	2400	22.9

#### DUMP PUMP ORDER CODES - EXAMPLE:



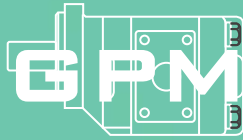
RELIEF VALVE SET AT  
138 BAR / 2000 PSI FOR  
MODELS GP110 / GP112

Useful Formulae	To Convert	Inches	Bar	Cu in/rev	US GPM	US GPM	kg
	Into	Millimeters	Psi	cc/rev	Cu In/rev	cc/rev	lbs
	Multiply by	25.4	14.5	16.39	2.31	3.785	2.205

All product listed herein is product manufactured and/or supplied by Gear Pump Manufacturing (Pty) Limited (GPM), a South African manufacturer and supplier of replacement parts and components. "Commercial Intertech" is a registered trademark or copyright of the Parker Hannifin Corporation (Parker). Any reference to this entity, its trademark, copyright, product or reference number, is for product comparison and reference purposes only and as such, any referral thereto, should not be construed as implying in any way that Parker product is manufactured or supplied by GPM or that GPM is in any way associated with Parker.

**SABS**  
ISO 9001  
Manufactured in South Africa

Copyright © 2016 Gear Pump Manufacturing (Pty) Limited. All Rights Reserved. No part of this document may be reproduced in any form or manner without permission.



## GEAR PUMP MANUFACTURING

Manufacturing Plant (Cape Town)  
15 Moody Ave, Epping 1, Cape Town, South Africa

Tel: +27 (0) 21 531 9330

Fax: +27 (0) 21 531 7096

SALES: sales@gearpumps.co.za

TECHNICAL: technical@gearpumps.co.za

Website: www.gearpumps.co.za



### REPRESENTED BY



**Precision  
Hydraulics**

6 Impangela Road  
Sebenza Ext. 6  
Edenvale  
1609 Gauteng  
South Africa

SALES MANAGER: Wimpie Potgieter  
Phone: +27 11 452 5843 | Fax: +27 11 609 7955  
Mobile: +27 82 419 0708  
Email: wimpiep@dosco.co.za  
Website: www.dosco.co.za

**SABS**  
ISO 9001

Manufactured in South Africa

A MEMBER OF THE **Hudaco** GROUP