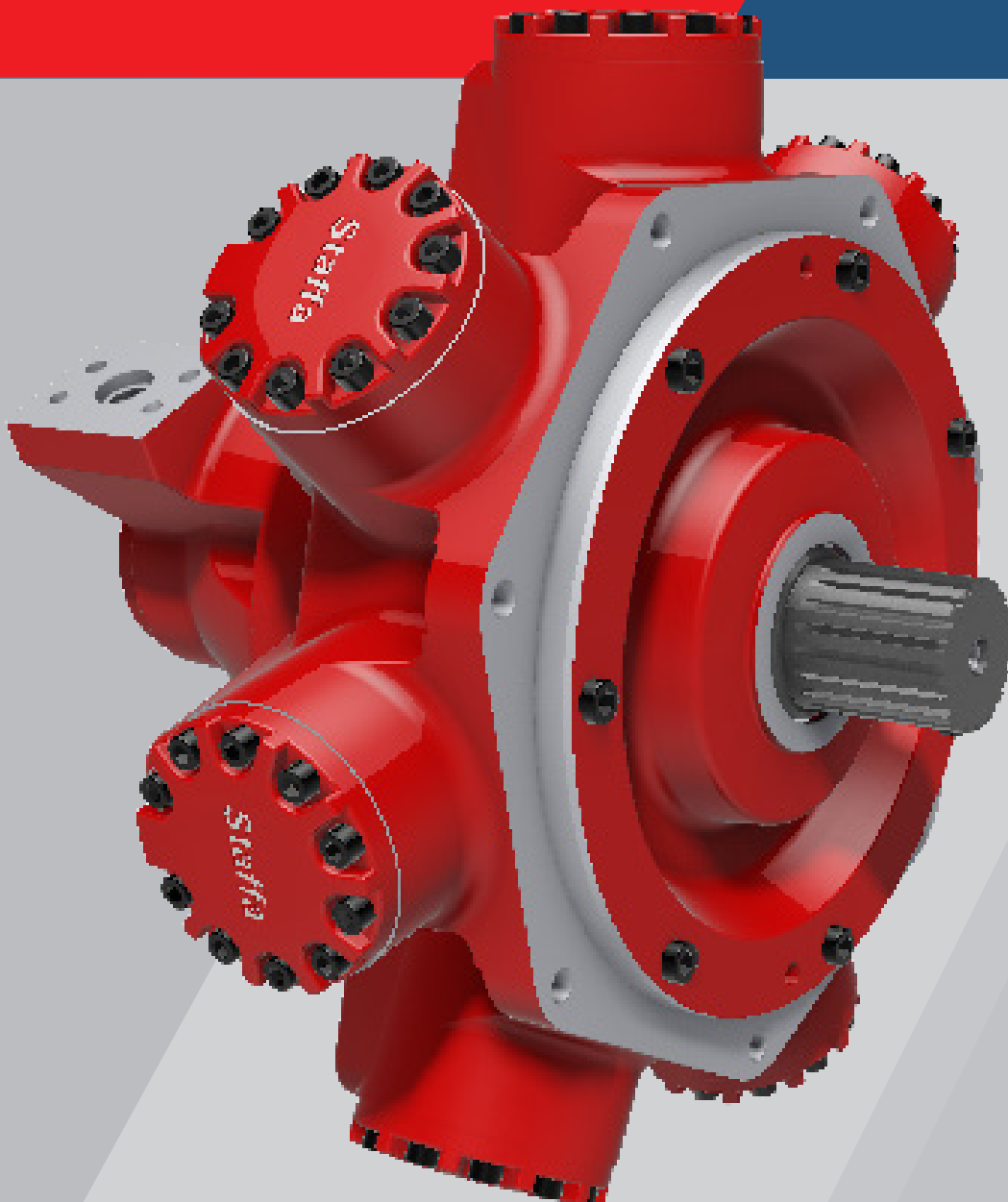


Fixed Displacement Radial Piston Staffa Motor HMB Series



CONTENTS

Specifications and Features	3 - 4
1. Ordering Code	
1-1. Model Coding	5
2. Technical Information	
2-1. Performance Data	6 - 11
2-2. Volumetric Efficiency Data	12
2-3. Shaft Power Calculations	13
2-4. Functional Symbols	14
2-5. Shaft Stress Limits	15
2-6. Bearing Life Notes	16
2-7. Circuit and Application Notes	17 - 19
2-8. Motor Operation at Low Temperatures	20
2-9. Freewheeling Notes	21
2-10. Crankcase Drain Connections	22
2-11. Installation Data	23
2-12. Special Features	24 - 39
3. Dimensions	
3-1. HMB010 Installation	40 - 41
3-2. HMB030 Installation	42 - 46
3-3. HMB045 Installation	47 - 51
3-4. HMB060/080 Installation	52 - 56
3-5. HMB100 Installation	57 - 58
3-6. HM(HD)B125 Installation	59 - 69
3-7. HM(HD)B150/200 Installation	70 - 77
3-8. HM(HD)B270 Installation	78 - 83
3-9. HM(HD)B325 Installation	84 - 89
3-10. HMHDB400 Installation	90 - 91
3-11. HMB500 Installation	92 - 93

HMB Series

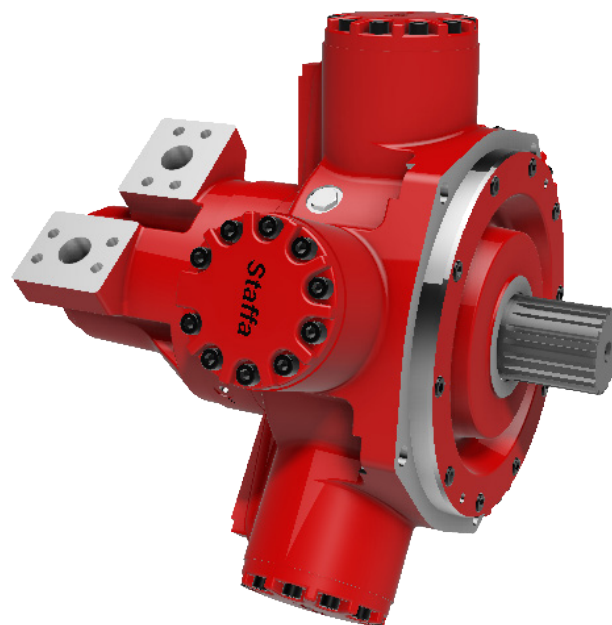
Fixed Displacement Radial Piston Hydraulic Motor

■ General Descriptions

The Kawasaki Staffa range of high torque low speed fixed displacement radial piston hydraulic motors consists of 13 frame sizes ranging from the HMB010 to HMB500. Capacity ranges from 188 to 8,000 cc/rev.

The rugged, well proven design incorporates high efficiency combined with good breakout torque and smooth running capability. Various features and options are available including, on request, mountings to match competitors' interfaces.

The Kawasaki Staffa range also includes dual and triple displacement motors. To obtain details of these product ranges please refer to datasheet M-2002/03.17 and M-2005/12.17



■ Features

- Rugged, reliable, proven design
- Unique hydrostatic balancing provides minimum wear and extended life
- High volumetric and mechanical efficiency
- Capacities range from 188 to 8,000cc/rev
- Large variety of shaft and porting options
- Output torque up to 25,250Nm
- Wide range of mounting interfaces available
- Alternative displacements also available

Motor Type	Displacement (cc/rev)	Ideal Specific Torque (N m/bar)	Mechanical Efficiency (%)	Operating Pressure (bar)	Peak Pressure (bar)	Power Rating (kW)	Speed Rating (rpm)
HMB010	188	3.0	93.2	250	350	25	500
HMB030	492	7.8	93.4	250	350	52	450
HMB045	740	11.8	93.0	300	405	60	400
HMB060	983	15.6	92.7	300	405	80	300
HMB080	1,344	21.4	93.0	300	405	100	300
HMB100	1,639	25.5	95.4	300	405	110	250
HMB125	2,048	32.6	94.1	300	405	100	220
HMB150	2,470	39.3	94.0	300	405	115	220
HMB200	3,087	49.1	93.8	300	405	130	175
HMB270	4,310	68.6	93.0	300	405	140	125
HMB325	5,310	84.5	94.0	300	405	140	100
HMB500	8,000	127.3	89.5	230	350	170	100

*For detailed performance figures see Section 2-1

1

Ordering Code

1-1 Model Coding

F11/HM*B 060 / S3 V/ FM3/Tj/ */ P*****

Fluid Type

Blank	Mineral oil
F3	Phosphate ester (HFD fluid)
F11	Water based fluids (HFA, HFB & HFC)
Alternative fluids contact Kawasaki	

Model Type

HMB	Standard
HMHDB	Heavy duty

* For B400 frame size, only Heavy Duty (HMHDB) is available.

Motor Frame Size

See options Section 2-1

Shaft Type

See shaft type options in installation drawings

Shaft Orientation

Blank	Horizontal and vertically down
V	Vertically Up

Main Port Connections

See Port Connection options in installation drawings.

Special Features

P*****	Special features (see Section 2-1)
PL***	Non-catalogued features, (****) = number assigned by Kawasaki as required

Design Series Number

Current series for HMB motors

Tacho Encoder Drive

Blank	None
Tj*	Square wave output with directional signal*
Tk	Combines Tj with the T401 instrument to give a 4 to 20 mA output proportional to speed. Directional signal and speed relay output.

See Section 2-12

* Not available for B010 frame size.

1-1 Model Coding

Special Features Suffix

/ P * * * * *

Shaft Seal Enhancements

A	High pressure shaft seal
B	Improved shaft seal life
C	High pressure shaft seal & improved shaft seal life
0	None

See Section 2-12 for details

External Protection

B	Marine-specification primer paint
0	None

See Section 2-12 for details

Installation Features

A	Drain port adaptor x 1
B	Drain port adaptor x 2
C	Φ21 mm mounting holes
D	Φ22 mm mounting holes
E	Φ21 mm mounting holes & Drain port adaptor x 1
F	Φ21 mm mounting holes & Drain port adaptor x 2
G	Φ22 mm mounting holes & Drain port adaptor x 1
H	Φ22 mm mounting holes & Drain port adaptor x 2
0	None

See Section 2-11 for details

Valve Enhancements

A	Improved cavitation resistance
B	Anti-clockwise
C	Thermal shock resistance
D	Improved cavitation resistance & anti-clockwise
E	Improved cavitation resistance & thermal shock resistance
F	Anti-clockwise & thermal shock resistance
G	Improved cavitation resistance & anti-clockwise & thermal shock resistance
0	None

See Section 2-12 for details

Performance Enhancements

A	Increased starting torque
0	None

See Section 2-12 for details

2

Technical Information

2-1 Performance Data

Rating definitions

Continuous rating

For continuous duty the motor must be operating within each of the maximum values for speed, pressure and power.

Intermittent rating

Operation within the intermittent power rating (up to the maximum continuous speed) is permitted on a 15% duty basis, for periods up to 5 minutes maximum.

Intermittent max pressure

Intermittent max pressure: 300bar.

This pressure is allowable on the following basis:

- a) Up to 50rpm 15% duty for periods up to 5 minutes maximum.
- b) Over 50rpm 2% duty for periods up to 30 seconds maximum.

Static pressure to DNV rules 405bar (DNV-GL-RU-Ship Part 4) - except HMB010 and HMB030 motors.

Limits for fire resistant fluids

Fluid Type	Continuous Pressure (bar)	Intermittent Pressure (bar)	Max Speed (rpm)	Model Type
HFA 5/95 oil-in-water emulsion	130	138	50% of limits of mineral oil	All models
HFB 60/40 water-in-oil emulsion	138	172	As for mineral oil	All models
HFC water glycol	103	138	50% of limits of mineral oil	All models
HFD phosphate ester	207	241	As for mineral oil	HMB010
	207	293	As for mineral oil	HMB030
	250	293	As for mineral oil	HMB045 to HMHDBB400 inc.
	190	227	As for mineral oil	HMB500

2-1 Performance Data

Specifications

Motor Type	Geometric displacement (cc/rev)	Average actual running torque (Nm/bar)	Max. continuous speed (rpm)	Max. continuous output (kW)	Max. continuous pressure (bar)	Max. intermittent pressure (bar)
HMB010	188	2.79	500	25	207	241
HMB030	442	6.56	450	42	207	241
HMB030 (FM3)	492	7.31	450	52	207	241
HMB045	740	10.95	400	60	250	293
HMB060	983	14.5	300	80	250	293
HMB080	1,344	19.9	300	100	250	293
HMB100	1,639	24.3	250	110	250	293
HMB125	2,050	30.66	220	100	250	293
HMHDB125						
HMB150	2,470	36.95	220	115	250	293
HMHDB150						
HMB150 (FM3)	2,470	36.95	168	115	250	293
HMB200	3,087	46.07	175	130	250	293
HMHDB200						
HMB200 (FM3)	3,087	46.07	135	130	250	293
HMB270	4,310	63.79	125	140	250	293
HMHDB270						
HMB325	5,310	79.4	100	140	250	293
HMHDB325						
HMHDB400	6,800	101	120	190	250	293
HMB500	8,000	114	100	170	190	227

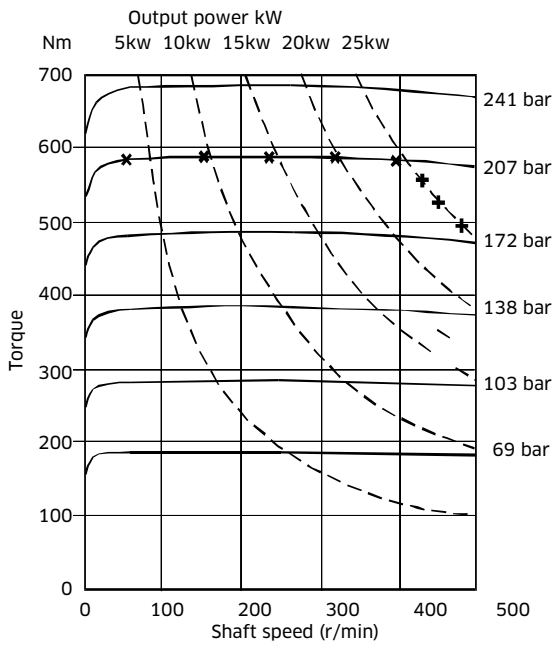
Other non standard displacements are possible - check with Kawasaki for details.

2-1 Performance Data (cont)

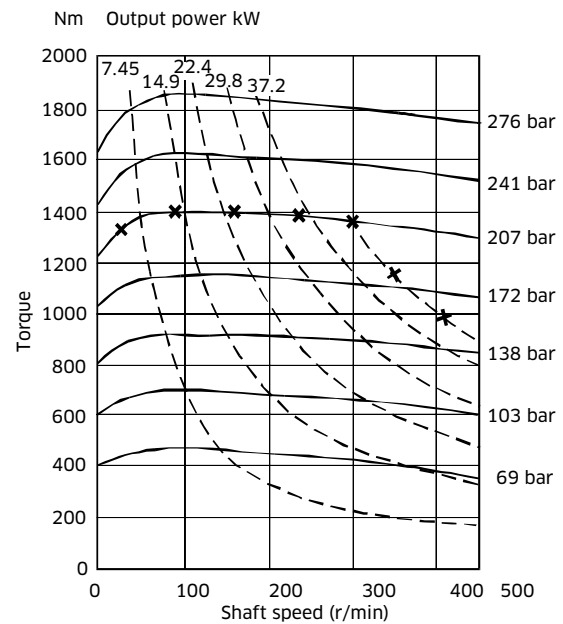
Output Torque Curves

These torque curves indicate the maximum output torque and power of a fully run-in motor for a range of pressures and speeds when operating with zero outlet pressure on Mineral Oil of 50cSt (232 SUS) viscosity. High return line pressures will reduce torque for a given pressure differential. - x - x - x - Upper limit of continuous rating envelope.

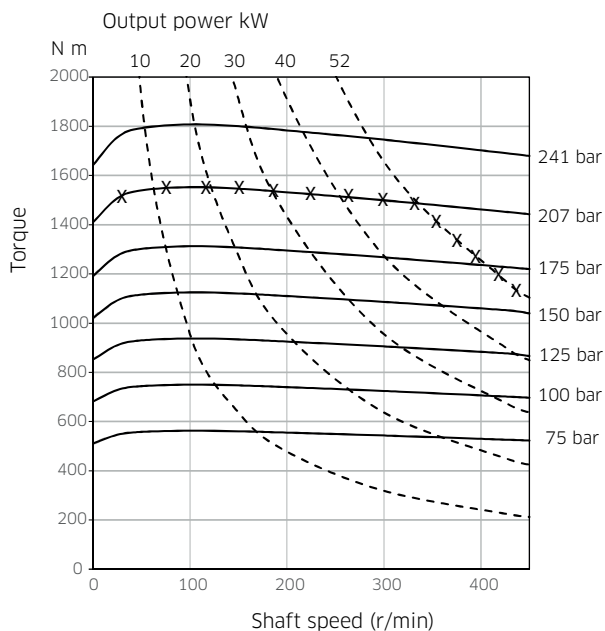
HMB010



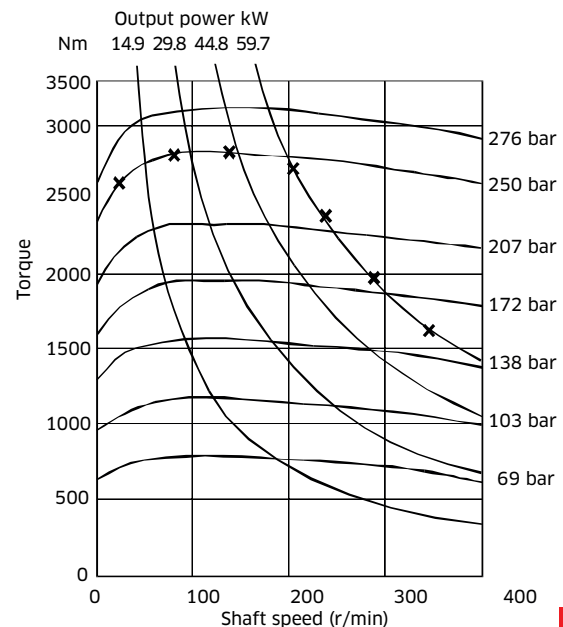
HMB030



**HMB030
2-piece**

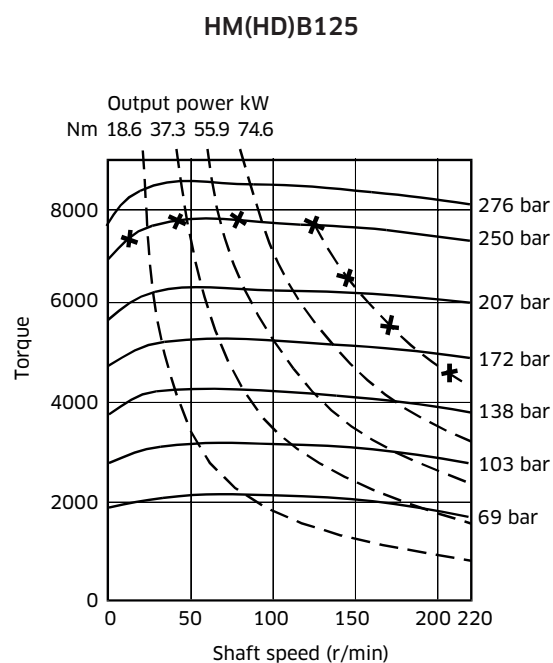
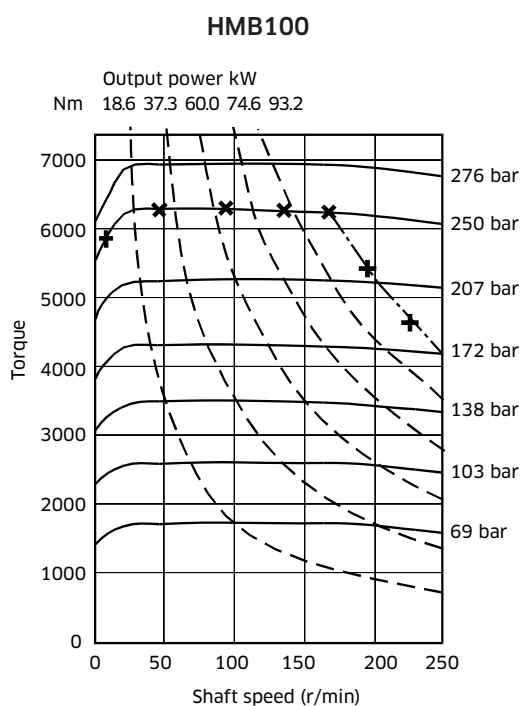
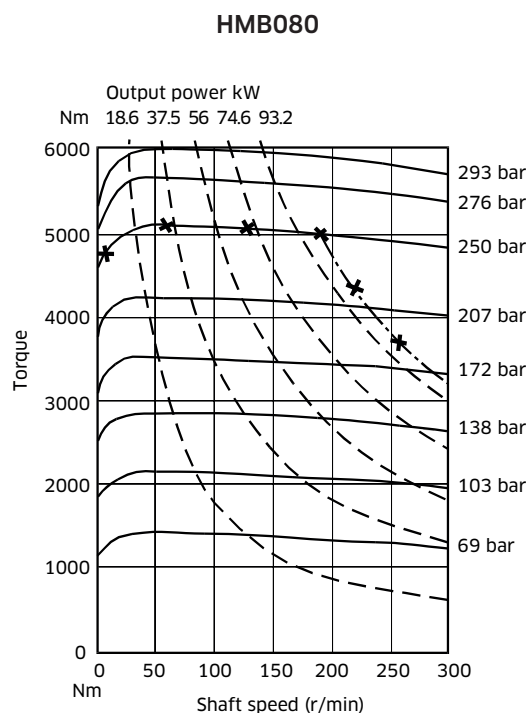
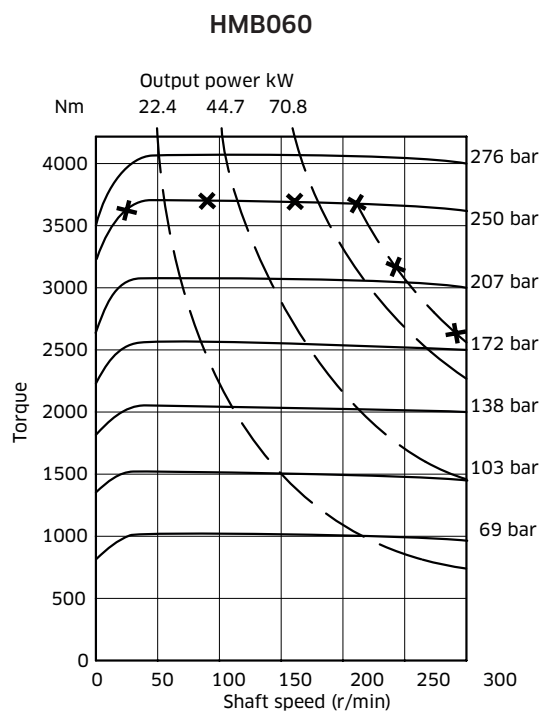


HMB045



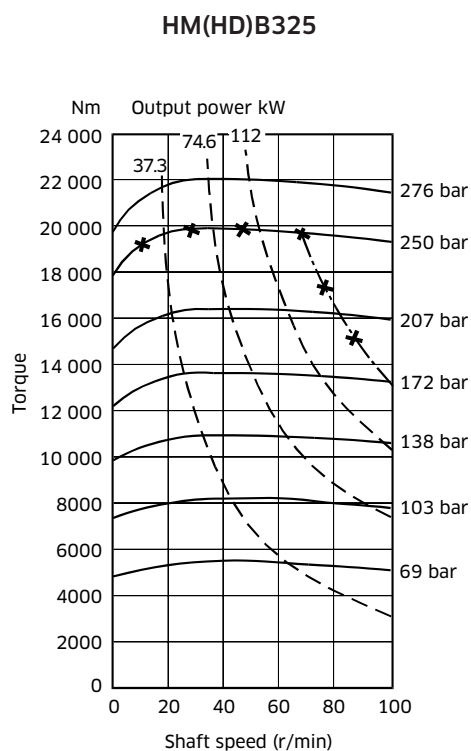
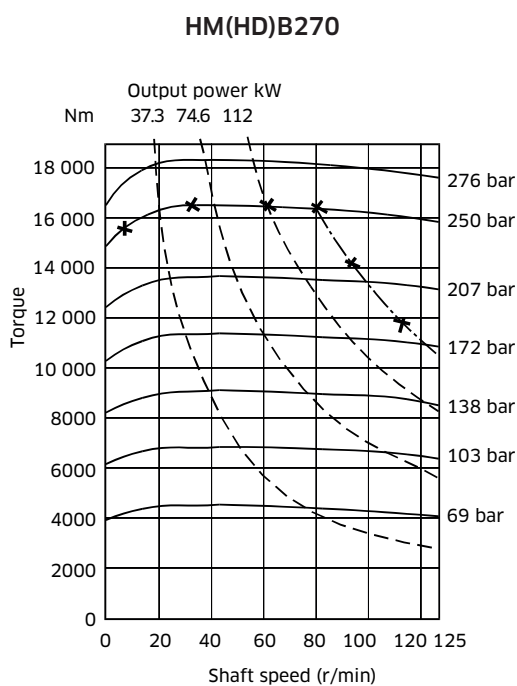
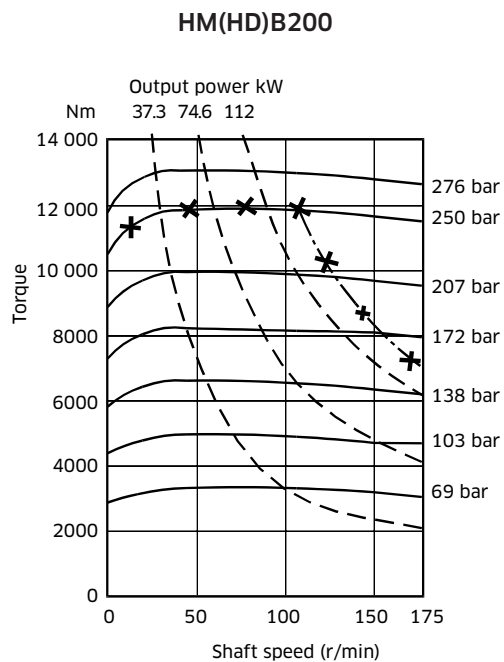
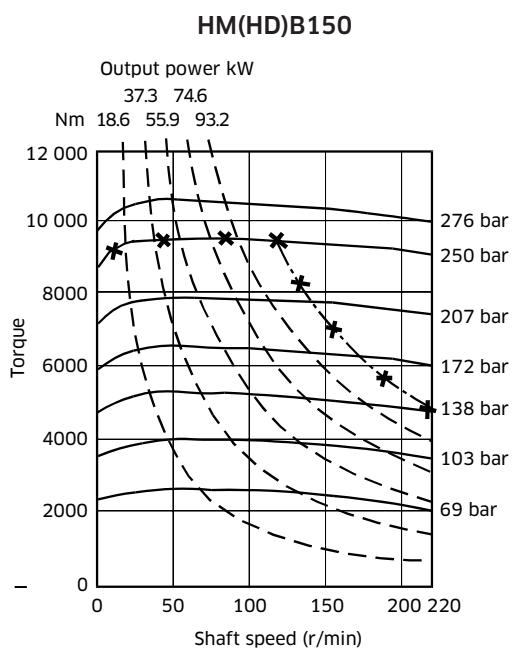
2-1 Performance Data (cont)

Output Torque Curves (cont)



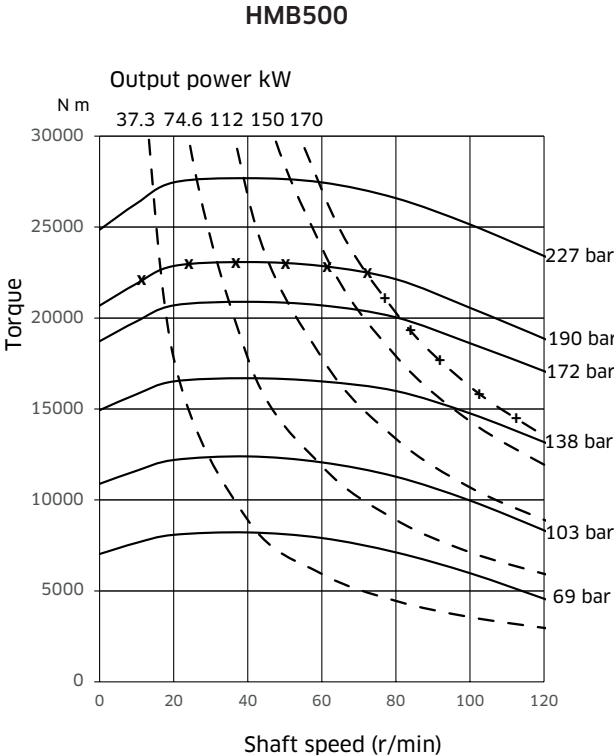
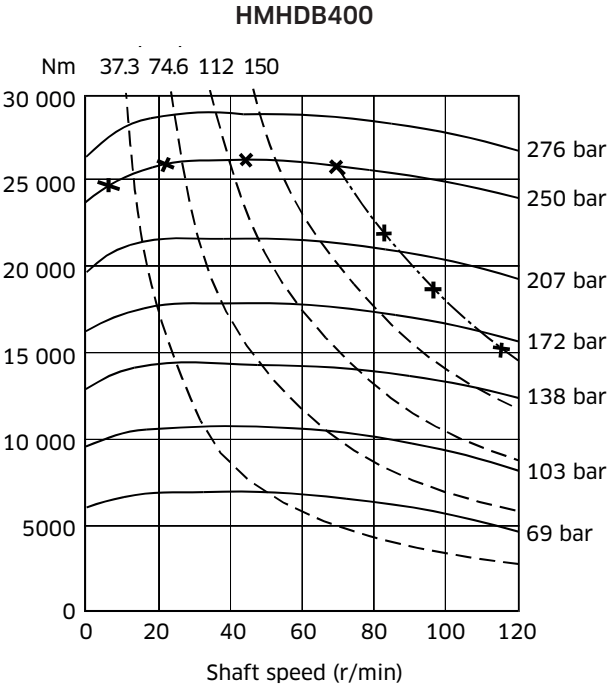
2-1 Performance Data (cont)

Output Torque Curves (cont)



2-1 Performance Data (cont)

◆ Output Torque Curves (cont)



2-2 Volumetric Efficiency Data

Motor Type	Geometric Displacement	Zero Speed Constant	Speed Constant	Creep Speed Constant	Crankcase Leakage Constant
HMB	cc/rev	K₁	K₂	K₃	K₄
HMB010	188	1.34	534.05	7.31	0.51
HMB030	442	1.04	57.67	2.47	0.59
2-piece HMB030	492	1.15	51.80	2.35	0.59
HMB045	740	1.92	43.36	2.71	1.76
HMB060	983	1.72	29.91	2.35	1.88
HMB080	1,344	1.71	21.62	1.84	1.84
HMB100	1,639	1.63	19.90	1.41	1.88
HM(HD)B125	2,050	2.06	11.45	1.24	1.35
HM(HD)B150	2,470	1.62	9.98	1.00	1.39
HM(HD)B200	3,087	2.53	14.99	0.78	1.39
HM(HD)B270	4,310	3.17	21.16	0.68	1.80
HM(HD)B325	5,310	3.14	18.21	0.55	1.80
HMHDB400	6,800	4.06	10.18	0.53	2.35
HMB500	8,000	9.247	78.247	1.739	5.797

Fluid Viscosity	Viscosity Factor
cSt	Kv
20	1.58
25	1.44
30	1.30
40	1.10
50	1.00
60	0.88

- Qt (total leakage)** = $[K_1 + n/K_2] \times \Delta P \times K_v \times 0.005$ l/min
- Creep speed** = $K_3 \times \Delta P \times K_v \times 0.005$ rpm
- Crankcase leakage** = $K_4 \times \Delta P \times K_v \times 0.005$ l/min
- ΔP** = differential pressure bar
- n** = speed rpm

The motor volumetric efficiency can be calculated as follows:

$$\text{Volumetric efficiency (\%)} = \left[\frac{(\text{speed} \times \text{disp.})}{(\text{speed} \times \text{disp.}) + Q_t} \right] \times 100$$

Example:

HMB200 motor with displacement of 3.087 l/rev.

- Speed 60rpm
- Differential pressure 200bar
- Fluid viscosity 50 cSt

$$\begin{aligned} \text{Total leakage} &= (K_1 + n/K_2) \times \Delta P \times K_v \times 0.005 \quad \text{l/min} \\ &= (2.53 + 60/14.99) \times 200 \times 1 \times 0.005 \\ &= 6.53 \quad \text{l/min} \end{aligned}$$

$$\begin{aligned} \text{Volumetric efficiency} &= \left[\frac{(60 \times 3.087)}{(60 \times 3.087) + 6.53} \right] \times 100 \\ &= \underline{96.6\%} \end{aligned}$$

2-3 Shaft Power Calculation

Example

Firstly, to find the maximum differential pressure ΔP at rated speed:

Select the rated shaft power (W) for the motor from the performance data table (in Section 2-1). This is presented in kilowatts so must be converted to watts (x1000).

Then also take the actual average running torque in N m/bar (T_o) and the rated shaft speed in rpm (n).

$$W = \frac{T_o \cdot \Delta P \cdot 2\pi \cdot n}{60}$$

Or to find maximum ΔP then use:

$$\Delta P = \frac{60 \cdot W}{2\pi \cdot T_o \cdot n}$$

HMB270 Example:

Rated shaft power, W (W):	140,000
Average actual running torque, T_o (Nm/bar):	63.79
Rated shaft speed, n (rpm):	125

$$\Delta P = \frac{60 \times 140,000}{2\pi \times 63.79 \times 125}$$

$$\Delta P = 167 \text{ bar (max.)}$$

Secondly, to find the maximum speed at rated pressure (using the same information as before):

$$n = \frac{60 \cdot W}{2\pi \cdot T_o \cdot \Delta P}$$

Rated pressure (bar): 250

$$n = \frac{60 \times 140,000}{2\pi \times 63.79 \times 250}$$

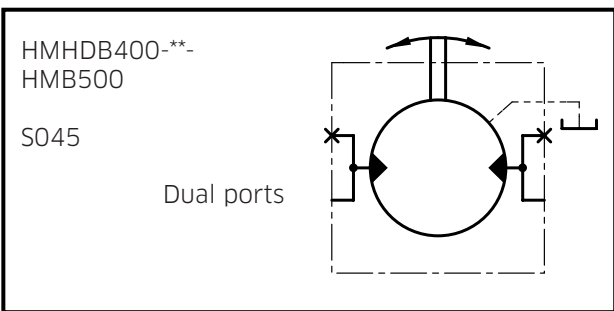
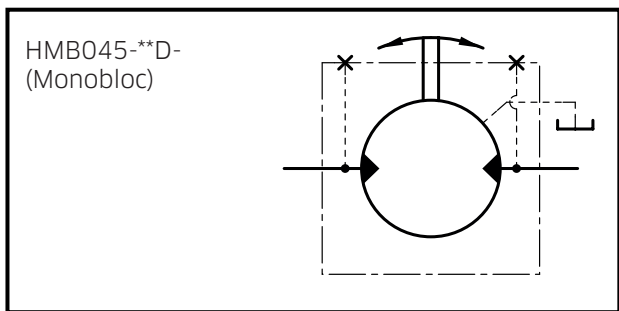
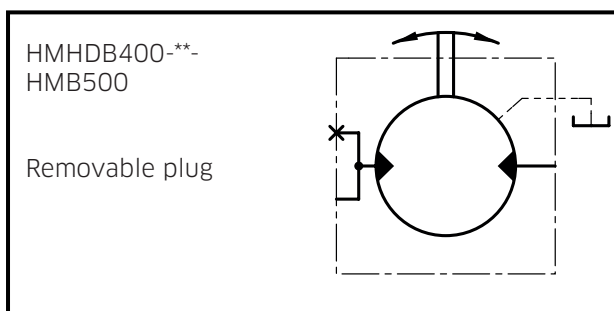
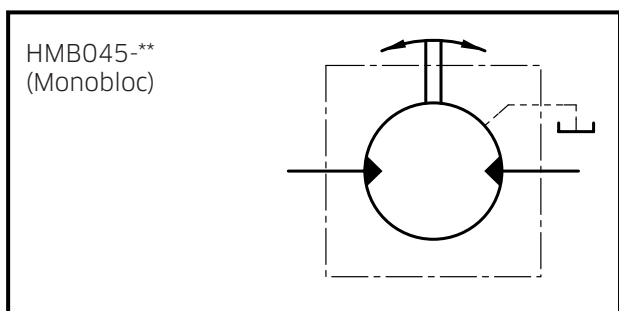
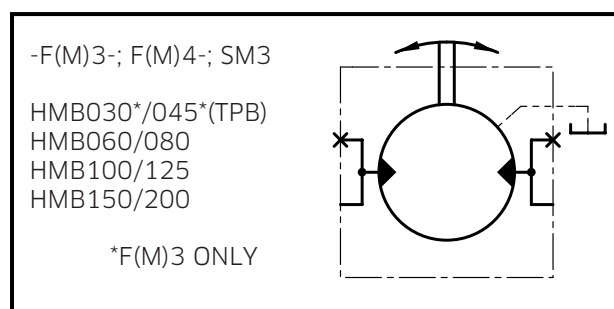
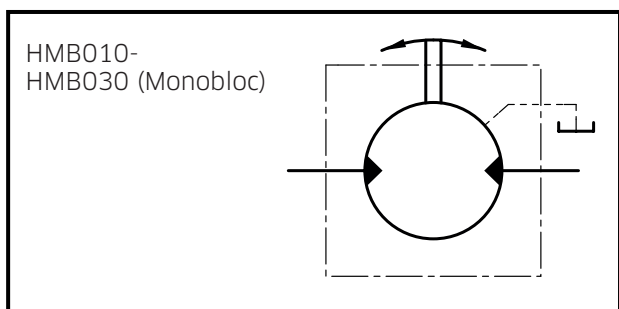
$$n = 83 \text{ rpm (max.)}$$

In summary, operating the motor within its shaft power limit, at rated speed, would give a maximum pressure of 167 bar, and operating the motor at rated pressure, would give a maximum speed of 83rpm.

Notes

- 1) The maximum calculated speed is based on a rated inlet pressure of 250bar.
- 2) The maximum shaft power is only allowable if the motor drain temperature remains below 80°C.
- 3) The maximum calculated differential pressure assumes that the low pressure motor port is less than 30bar.

2-4 Functional Symbols



2-5 Stress Limits

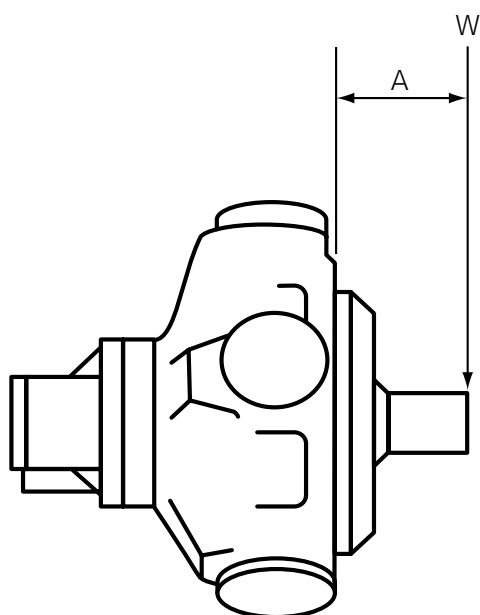
When applying large external radial loads, consideration should also be given to motor bearing lives (see Section 2-6).

Motor Frame Size	Shaft Types	Maximum External Radial Bending Moment [Nm]
HMB010	P, S	1,550
HMB030	P, S & Z	2,400
HMB045	P, S & Z	3,240
HM060, 080 & 100	P, S, Z & T	5,500
HMB125, 150 & 200	P1, S3, S4, Z3, & T	6,600
HMHDB125, 150, 200	S5, Z5 & P2	12,750
HMB270 & 325	P1, S3, Z3 & T	7,500
HMHDB270 & 325	P2, S5 & Z5	15,900
HMHDB400	P, S & Z	16,200
HMB500	P, S & Z	16,200

Example:

Determine the maximum radial shaft load of a HMB080 motor:

Radial load offset, A = 100mm
 Maximum radial load, W = 5,500 (see table)/100
 = **55kN (5,607 kg)**



A = Distance from mounting face to load centre (mm)

W = Side load (N)

NOTE:

The offset distance A is assumed to be greater than 50mm. Contact Kawasaki if this is not the case.

2-6 Bearing Life Notes

Consideration should be given to the required motor bearing life in terms of bearing service life. The factors that will determine bearing life include:

- 1) Duty cycle - time spent on and off load
- 2) Speed
- 3) Differential pressure
- 4) Fluid viscosity
- 5) External radial shaft load
- 6) External axial shaft load

NOTE:

A heavy duty HM(HD)B motor can be ordered to further improve bearing life. Consult Kawasaki for a detailed bearing life calculation.

2-7 Circuit and Application Notes

Starting torque

The starting torques shown on the graphs in Section 2-1 are average and will vary with system parameters.

Low Speed Operations

Minimum operating speeds are determined by the hydraulic system and load conditions (load inertia, drive elasticity, etc.) Recommended minimum speeds are shown below:

Model Type	rpm
HMB010	20
HMB030	5
HMB045	6
HMB060/080/100	3
HM(HD)B/125/150/200	3
HM(HD)B270/325	2
HMHDB400/HMB500	2

High Back Pressure

When both inlet and outlet ports are pressurised continuously, the lower port pressure must not exceed 70 bar at any time.

NOTE: High back pressure reduces the effective torque output of the motor.

Boost Pressure

When operating as a motor the outlet pressure should equal or exceed the crankcase pressure. If pumping occurs (i.e. overrunning loads) then a positive pressure, "P", is required at the motor ports. Calculate "P" (bar) from the operating formula Boost Formula $P = \frac{1 + N^2 \times V^2}{K} + C$

Where P is in bar, N = motor speed (rpm), V = motor displacement (cc/rev), C = crankcase pressure (bar) and K=a constant from the table below:

Motor	Porting	Constant (K)
HMB010	Standard	8.0×10^9
HMB030	Standard - Monobloc	3.7×10^9
	F(M)3 SM3	7.5×10^9
HMB045	Standard - Monobloc	1.3×10^{10}
	F(M)3 SM3	1.6×10^{10}
HMB060, HMB080 & HMB100	F(M)3 SM3	1.8×10^{10}
HM(HD)B125, HM(HD)B150 & HM(HD)B200	FM(3) SM3	4.0×10^{10}
	FM(4)	8.0×10^{10}
HM(HD)B270 & HM(HD)B325	FM(4)	7.2×10^{10}
HMHDB400 & HMB500	SO4 SO45	7.2×10^{10}

2-7 Circuit and Application Notes (cont)

The flow rate of oil needed for the make-up system can be estimated from the crankcase leakage data (see Section 2-1 for calculation method). Allowances should be made for other system losses and also for “fair wear and tear” during the life of the motor, pump and system components.

Cooling Flow

Operating within the continuous rating does not require any additional cooling.

For operating conditions above “continuous”, up to the “intermittent” rating, additional cooling oil may be required. This can be introduced through the spare crankcase drain ports.

Consult Kawasaki about such applications.

Motorcase pressure

With the standard shaft seal fitted, the motor casing pressure should not exceed 3.5bar.

NOTES

- 1) The casing pressure at all times must not exceed either the motor inlet or outlet pressure.
- 2) High pressure shaft seals are available for casing pressures of:
9bar for HMB010
10bar for all remaining frame sizes.
- 3) Check installation dimensions for maximum crankcase drain fitting depth.



CAUTION

For trouble free operation the motor's crankcase pressure must always be lower than both of the motor port pressures:

$$P_{\text{case}} < P_{\text{in}} \quad \text{and} \quad P_{\text{case}} < P_{\text{out}}$$

Hydraulic Fluids

Dependent on motor (see model code fluid type - Section 1-1) suitable fluids include:

- a) Antiwear hydraulic oils
- b) Phosphate ester (HFD fluids)
- c) Water glycols (HFC fluids)
- d) 60/40% water-in-oil emulsions (HFB fluids)
- e) 5/95% oil-in-water emulsions (HFA fluids)
- f) Antiwear environmentally acceptable lubricants (EALs)

Some fluids require a reduction in pressure and speed limits. Please see table in Section 1-1.

Viscosity limits when using any fluid except oil-in-water (5/95) emulsions are:

Max. off load:	2,000cSt (9270 SUS)
Max. on load:	150cSt (695 SUS)
Optimum:	50cSt (232 SUS)
Minimum:	25cSt (119 SUS)

Temperature limits

Ambient min. -30°C (-22°F)

Ambient max. +70°C (158°F)

Max. operating temperature range.

Mineral oil	Water containing
--------------------	-------------------------

Min -20°C (-4°F)	+10°C (50°F)
-------------------------	--------------

Max. +80°C (175°F)	+54°C (130°F)
---------------------------	---------------

NOTE: To obtain optimum services life from both fluid and hydraulic systems components, a fluid operating temperature of 40°C is recommended.

2-7 Circuit and Application Notes (cont)

◆ Mineral oil recommendations

The fluid should be a good hydraulic grade, non-detergent mineral oil. It should contain anti-oxidant, antifoam and demulsifying additives. It must contain antiwear or extreme pressure (EP) additives. Automatic transmission fluids and motor oils are not recommended.

◆ Biodegradable Fluid Recommendations

Well-designed environmentally acceptable lubricants (EALs) may be used with Staffa motors. The EAL must be designed for use in hydraulic systems and have a synthetic ester base. Additives should be as listed for mineral oils, above. The performance of EALs with hydraulic systems vary widely and so checks for seal compatibility, copper alloy compatibility, oxidation resistance and lubrication properties should be carried out before selecting an EAL. For help with EALs please contact Kawasaki.

◆ Filtration

Full flow filtration (open circuit), or full boost flow filtration (closed circuit) to ensure system cleanliness to ISO4406 code 22/18/13 or cleaner.

◆ Noise levels

The airborne noise level is less than 66.7dB(A) DIN & dB(A) NFPA through the continuous operating envelope. Where noise is a critical factor, installation resonances can be reduced by isolating the motor by elastomeric means from the structure and the return line installation. Potential return line resonances originating from liquid borne noise can be further attenuated by providing a return line back pressure of 2 to 5bar.

◆ Polar moment of inertia and mass table

Motor Frame Size	Polar Moment of Inertia (kg m ²) (Typical data)	Mass (kg) (Approx. all models)
HMB010	0.0076	40
HMB030	0.0150	73
HMB045	0.0470	120
HMB060	0.0500	144
HMB080	0.0600	144
HMB100	0.0760	144
HMB125	0.2200	217
HMB150	0.2500	265
HMB200	0.2700	265
HMB270	0.4900	420
HMB325	0.5000	429
HMHDB400 - S04	0.5400	481
HMHDB400 - S045	0.5400	510
HMB500	0.5400	510

2-8 Motor Operation at Low Temperature

When operating the motor at low temperature consideration should be given to the fluid viscosity. The maximum fluid viscosity before the shaft should be turned is 2,000cSt. The maximum fluid viscosity before load is applied to the motor shaft is 150cSt.

If low ambient temperature conditions exist, then a crankcase flushing flow of at least 5 l/min should be applied to the motor during periods when the motor is not in use.

The shaft seal temperature limits for both medium and high pressure applications are shown in the table below.

	Non-operating temperature limits	Minimum operating temperature
Standard pressure shaft seal	below minus 40°C and above 100°C	minus 30°C
High pressure shaft seal	below minus 30°C and above 120°C	minus 15°C

All seals are very brittle below minus 40°C and are likely to break very easily and due to their sluggish response may not provide a 100% leak free condition.

It should be noted that the maximum continuous operating temperature within the motor crankcase is plus 80°C.

2-9 Freewheeling Notes

All Staffa motors can be used in freewheeling applications.

In all circumstances it is essential that the motor is unloaded (A and B ports connected together) and that the circuit is boosted.

The required boost pressure is dependent on both the speed and displacement conditions.

It should be noted that for HMB series motors, to achieve freewheel, large flows will have to re-circulate around the motor.

This will require a large recirculating valve and consideration of circuit cooling as the motor will be generating a braking torque.

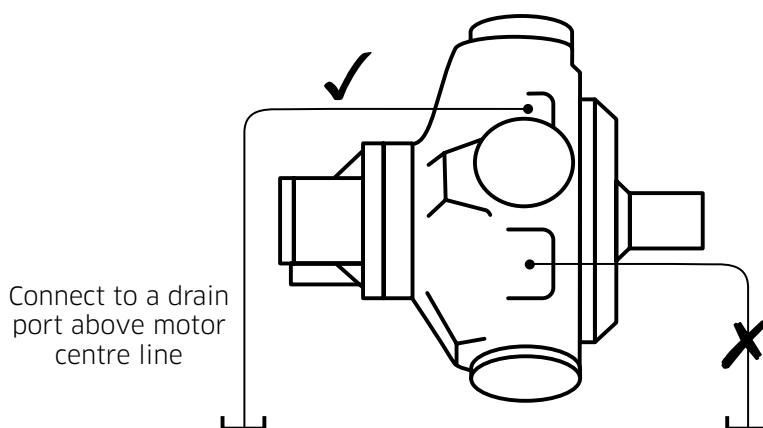
It is for these reasons that HMC, HPC or HMF series motors are the preferred option for freewheeling applications.

See catalogues M-2002/03.17, M-2003/03.17 and M-2005/12.17 for details.

2-10 Crankcase Drain Connections

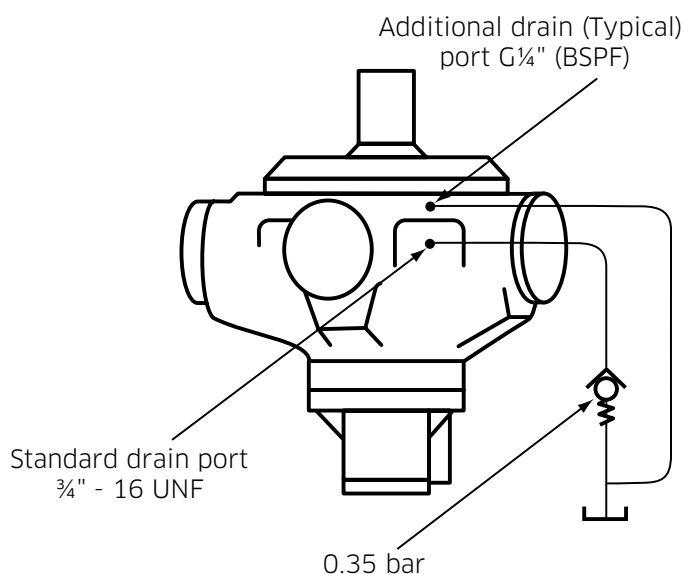
◆ Motor axis - horizontal

The recommended minimum pipe size for drain line lengths up to approx. 5m is 12.0mm (½") bore. Longer drain lines should have their bore size increased to keep the crankcase pressure within limits.



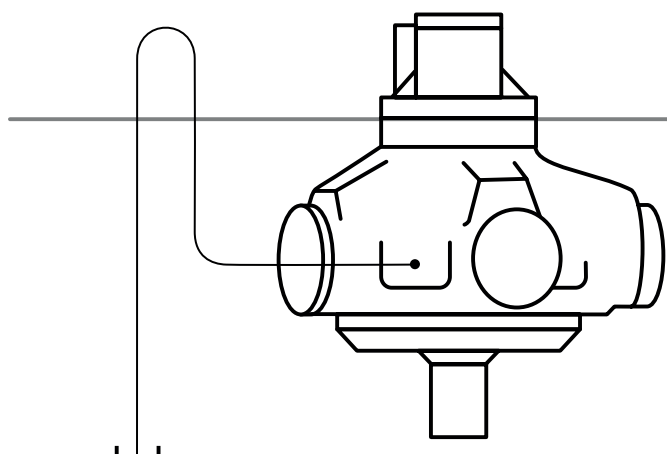
◆ Motor axis - vertical shaft up

Specify "V" within the model code for extra drain port, G¼" (BSPF). Connect this port into the main drain line downstream of a 0.35bar check valve to ensure good bearing lubrication. The piping arrangement must not allow syphoning from the motorcase. (refer to installation drawing for details).



◆ Motor axis - vertical shaft down

The piping, from any drain port, must be taken above the level of the motorcase to ensure good bearing lubrication. The arrangement must not allow syphoning from the motorcase.



2-11 Installation Data

Spigot

The motor should be located by the mounting spigot on a flat, robust surface using correctly sized bolts.

The diametrical clearance between the motor spigot and the mounting must not exceed 0.15mm. If the application incurs shock loading, frequent reversing or high speed running, then high tensile bolts should be used, including one fitted bolt.

Bolt Torque

The recommended torque wrench setting for bolts is as follows:

M12	97 +/- 7Nm
M14	160 +/- 21Nm
M18	312 +/- 14 Nm
M20	407 +/- 14 Nm
M24	690 +/- 27 Nm
½" UNF	97 +/- 7 Nm
⅝" UNF	265 +/- 14 Nm
¾" UNF	393 +/- 14 Nm
1"	810 +/- 27 Nm

Shaft Coupling

Where the motor is solidly coupled to a shaft having independent bearings the shaft must be aligned to within 0.13mm TIR.

End of Motor Life

The motor unit must be completely empty upon disposal. It must be disposed of according to national regulations and safety information for the disposal of hydraulic fluids

All individual parts of the motor unit must be recycled. Separate the motor unit parts according to: cast iron, steel, aluminium, non-ferrous metal, electronic waste, plastic, and seals.

2-12 Special Features

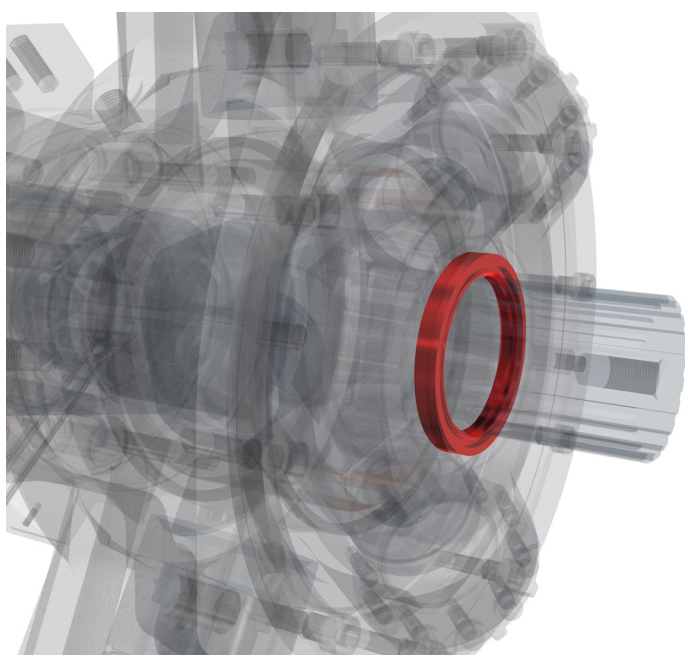
Feature	Section	HMB 010	HMB 030	HMB 030 -F(M)3 HMB 030 -SM3	HMB 045	HMB 045 -F(M)3 HMB 045 -SM3	HMB 060/080	HMB 100	HM(HD)B 125	HM(HD)B 150/200	HM(HD)B 270	HM(HD)B 325	HMHD B 400	HMB 500
High Pressure Shaft Seal	2-12	●	●	●	●	●	●	●	●	●	●	●	●	●
Improved Shaft Seal Life	2-12	●	●	●	●	●	●	●	●	●	●	●	●	●
Improved Cavitation Resistance	2-12	○	○	●	○	●	●	●	●	●	●	●	●	●
Increased Starting Torque	2-12	●	●	●	●	●	●	●	●	●	●	●	●	○
Anti-clockwise Rotation	2-12	●	●	●	●	●	●	●	●	●	●	●	●	●
Thermal Shock Resistance	2-12	○	○	●	○	●	●	●	●	●	●	●	●	○
Drain Port Adaptor - ½" BSPP	2-12	●	●	●	●	●	●	●	●	●	●	●	●	●
Φ21mm Mounting Holes	2-12	○	○	○	○	○	●	●	●	●	●	●	●	●
Φ22mm Mounting Holes	2-12	○	○	○	○	○	●	●	●	●	●	●	●	●
Marine-specification Primer Paint	2-12	●	●	●	●	●	●	●	●	●	●	●	●	●

- Available
- Not available

If a motor is to be ordered with any special features listed, please contact Kawasaki.

2-12 Special Features (cont)

High Pressure Shaft Seal



Description:

- > 10bar rated (9bar for HMB010)
- > Recommended for cold climates
- > Rugged aluminium construction

Technical Information

Where crankcase pressure will be higher than 3.5 bar, the high pressure shaft seal should be selected.

Case pressure	≤ 10bar
Non-operating temperature limits	Below -30°C and above 120°C
Minimum operating temperature	-15°C
Maximum operating temperature	80°C
Minimum viscosity	2,000cSt
Maximum viscosity	150cSt

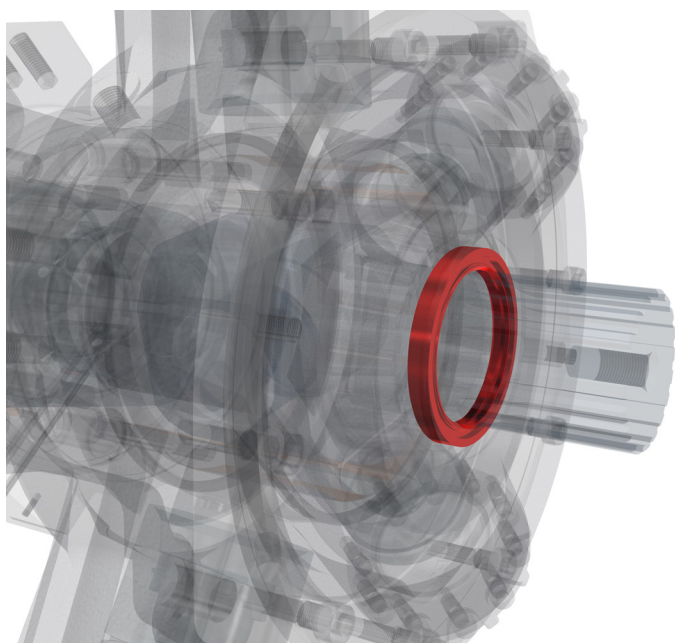
Applicable to:

HMB 030	HMB 030 -F(M)3/SM3	HMB 045	HMB 045 -F(M)3/SM3	HMB 060/080	HMB 100	HM(HD)B 125	HM(HD)B 150/200	HM(HD)B 270	HM(HD)B 325	HM(HD)B 400	HMB 500
●	●	●	●	●	●	●	●	●	●	●	●

Please contact Kawasaki to order this feature.

2-12 Special Features (cont)

◆ Improved Shaft Seal Life



Description:

- > Stainless steel sleeve prevents corrosion
- > Improved wear resistance
- > Recommended for corrosive environments

Technical Information

A well-established method of increasing rotary seal life in corrosive environments is to fit a thin-walled, stainless steel sleeve to the rotating shaft to provide a corrosion-resistant, wear-resistant counterface surface for the seal to run against. All HMB motors can be fitted with such sleeves upon request.

Sleeve material	A304/301 Stainless Steel
Sleeve surface finish	R _a 0.25 to 0.5µm (10 to 20µin)

Applicable to:

HMB 010	HMB 030	HMB 030 -F(M)3/SM3	HMB 045	HMB 045 -F(M)3/SM3	HMB 060/080	HMB 100	HM(HD)B 125	HM(HD)B 150/200	HM(HD)B 270	HM(HD)B 325	HMHDB 400	HMB 500
●	●	●	●	●	●	●	●	●	●	●	●	●

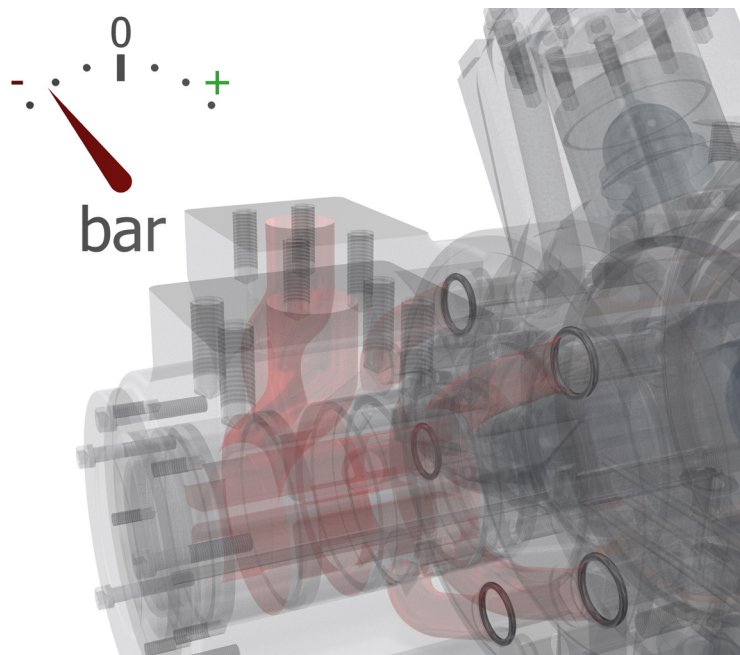
Please contact Kawasaki to order this feature.

2-12 Special Features (cont)

◆ Improved Cavitation Resistance

Description:

- > Recommended for overrunning applications
- > Protects against seal damage for short periods of operation in vacuum inlet conditions.



Cavitation can occur due to many different factors. Although it is not possible to make the HMB motor resistant to cavitation, certain features can be added to improve the motor's resistance to short periods of lost port pressure.

In applications where the HMB motor can be driven (like a pump) a risk arises that insufficient fluid will be provided to maintain a positive pressure at both main ports of the motor causing cavitation. The results of extended running at these conditions can be catastrophic to the motor's function.

The improved cavitation resistance feature should be considered where:

- Overrunning conditions may occur (load driving the motor)
- Loss of main port pressure while motor is rotating

NOTE:

This feature comes as standard on monobloc HMB motors (HMB010, HMB030, HMB045).

Applicable to:

HMB 010	HMB 030	HMB 030 -F(M)3/SM3	HMB 045	HMB 045 -F(M)3/SM3	HMB 060/080	HMB 100	HM(HD)B 125	HM(HD)B 150/200	HM(HD)B 270	HM(HD)B 325	HMHDB 400	HMB 500
○	○	○	○	●	●	●	●	●	●	●	●	●

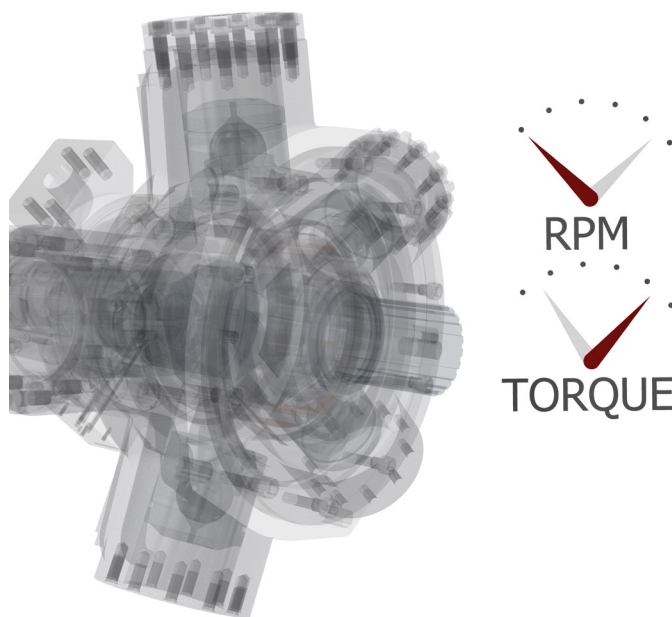
Please contact Kawasaki to order this feature.

2-12 Special Features (cont)

◆ Increased Starting Torque

Description:

- > Optimised for high break-out torque
- > Recommended for low speed operation
- > Improved service life for low speed applications

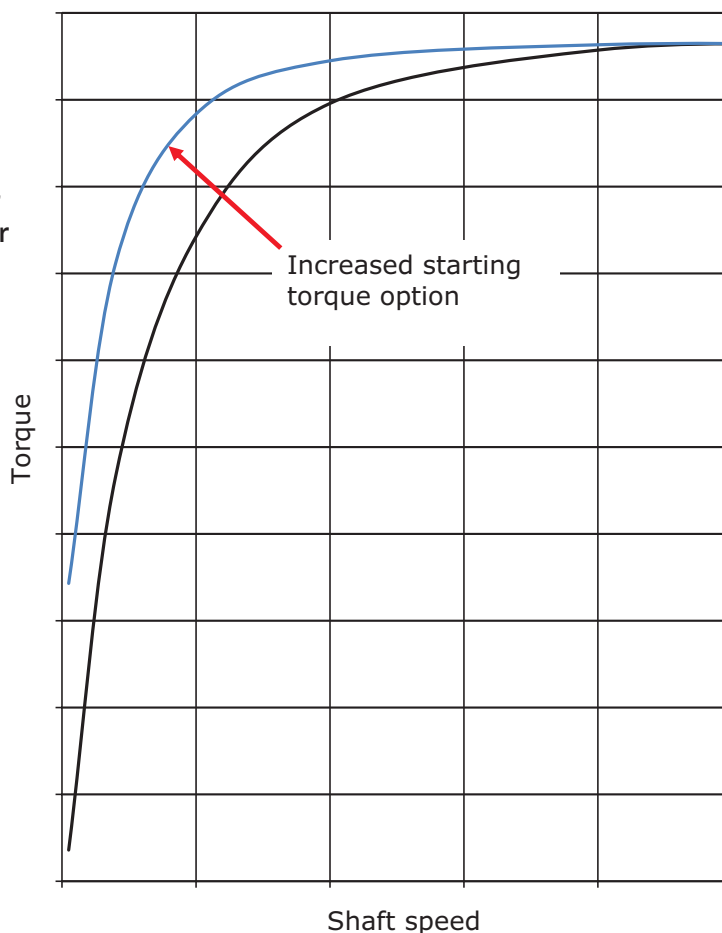


Technical Information

If an application demands the drive motor be run at speeds of less than 10 rpm for most of the duty cycle, or involves frequent start/stop or forward/reverse operation, the Staffa HMB motor range has it covered.

By optimising the HMB motor's design for low speeds, it is possible to increase the break out torque and low speed mechanical efficiency performance.

All figures given in Section 2-1 Performance Data are still valid when selecting this feature.



2-12 Special Features (cont)

◆ Increased Starting Torque (cont)

Volumetric Performance

In order to achieve increased torque at low speeds the volumetric characteristics of the motor performance are changed.

When calculating leakage and volumetric efficiency use the constants shown here in place of those given for the standard motor in Section 2-1.

Motor Type	Geometric Displacement	Zero Speed Constant	Speed Constant	Creep Speed Constant	Crankcase Leakage Constant
	cc/rev	K1	K2	K3	K4
HMB010	188	8.80	534.05	47.05	7.98
HMB030	442	8.62	51.80	17.54	8.06
HMB030 2-piece	492	8.51	57.67	19.37	8.06
HMB045	740	3.93	43.36	12.80	9.23
HMB060	983	9.19	29.91	9.95	9.35
HMB080	1,344	9.18	21.62	7.39	9.31
HMB100	1,639	9.10	19.90	5.97	9.35
HM(HD)B125	2,050	9.53	11.45	4.88	8.82
HM(HD)B150	2,470	9.09	9.98	4.02	8.86
HM(HD)B200	3,087	10.00	14.99	3.20	8.86
HM(HD)B270	4,310	13.63	21.16	3.11	12.26
HM(HD)B325	5,310	13.60	18.21	2.52	12.26
HMHDB400	6,800	19.00	10.18	2.73	17.29

Applicable to:

HMB 010	HMB 030	HMB 030 -F(M)3/ SM3	HMB 045	HMB 045 -F(M)3/ SM3	HMB 060/ 080	HMB 100	HM(HD)B 125	HM(HD)B 150/200	HM(HD)B 270	HM(HD)B 325	HMHDB 400	HMB 500
●	●	●	●	●	●	●	●	●	●	●	●	○

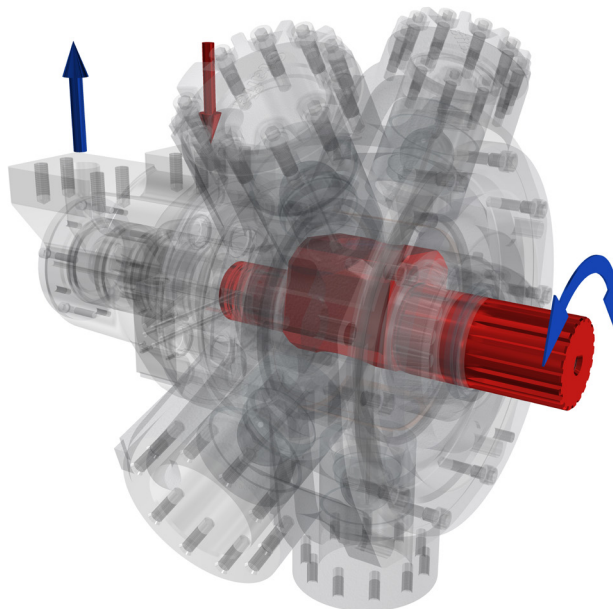
Please contact Kawasaki to order this feature.

2-12 Special Features (cont)

◆ Anti-Clockwise Rotation

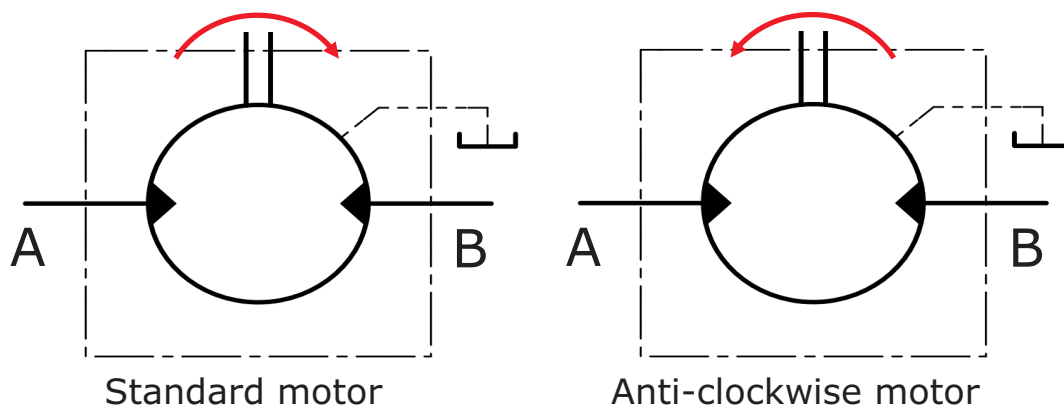
Description:

- > Reduce installation complexity
- > Standardise equipment designs



Technical Information

All HMB motors can be specified with an anti-clockwise rotation valve configuration. All performance and volumetric characteristics remain unchanged.



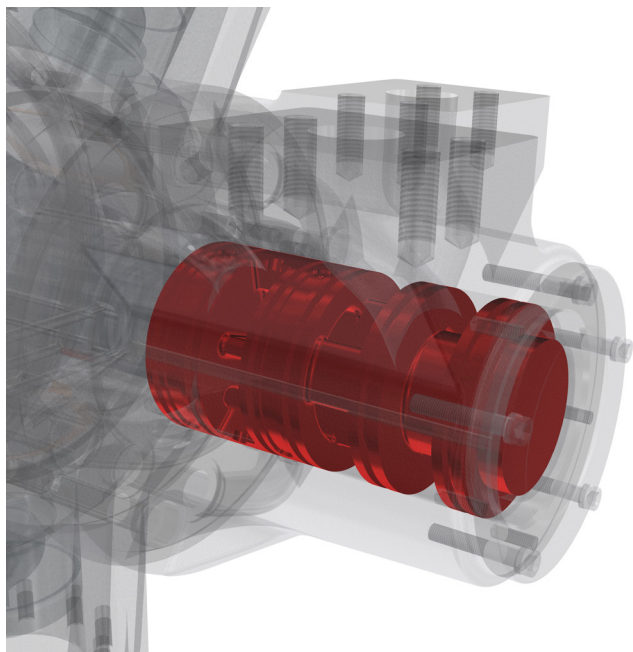
Applicable to:

HMB 010	HMB 030	HMB 030 -F(M)3/ SM3	HMB 045	HMB 045 -F(M)3/ SM3	HMB 060/ 080	HMB 100	HM(HD)B 125	HM(HD)B 150/200	HM(HD)B 270	HM(HD)B 325	HM(HD)B 400	HMB 500
●	●	●	●	●	●	●	●	●	●	●	●	●

Please contact Kawasaki to order this feature.

2-12 Special Features (cont)

◆ Thermal Shock Resistance



Description:

- > Recommended for cold climates
- > Optimised for start-up in freezing temperatures
- > Engineered for total peace of mind

Technical Information

Starting up a cold system with warm hydraulic fluid is a known cause of heavy wear and potential seizure of hydraulic machinery. To minimise this potential risk, the HMB motor can be configured to combat thermal shocks to give complete peace of mind when operating in very cold climates.

Volumetric Performance

In order to provide thermal shock resistance the volumetric characteristics of the motor performance are changed. When calculating leakage and volumetric efficiency use the constants shown in Section 2-12 in place of those given for the standard motor in Section 2-1.

All figures given in Section 2-1 Performance Data are still valid when selecting this feature.

Note:

When operating at low temperature, consideration must be given to the guidance notes in Section 2-8 Motor Operation at Low Temperature.

2-12 Special Features (cont)

◆ Thermal Shock Resistance (cont)

Motor Type	Geometric Displacement	Zero Speed Constant	Speed Constant	Creep Speed Constant	Crankcase Leakage Constant
	cc/rev	K1	K2	K3	K4
HMB060	983	3.72	29.91	4.39	1.88
HMB080	1,344	3.71	21.62	3.32	1.84
HMB100	1,600	3.63	19.90	2.63	1.88
HM(HD)B125	2,050	4.41	11.45	2.21	1.35
HM(HD)B150	2,470	3.97	9.98	1.81	1.39
HM(HD)B200	3,087	4.88	14.99	1.43	1.39
HM(HD)B270	4,310	5.52	21.16	1.23	1.80
HM(HD)B325	5,310	5.49	18.21	0.99	1.80
HMHDB400	6,800	6.41	10.18	0.88	2.35

Applicable to:

HMB 010	HMB 030	HMB 030 -F(M)3/ SM3	HMB 045	HMB 045 -F(M)3/ SM3	HMB 060/ 080	HMB 100	HM(HD)B 125	HM(HD)B 150/200	HM(HD)B 270	HM(HD)B 325	HMHDB 400	HMB 500
○	○	○	○	●	●	●	●	●	●	●	●	○

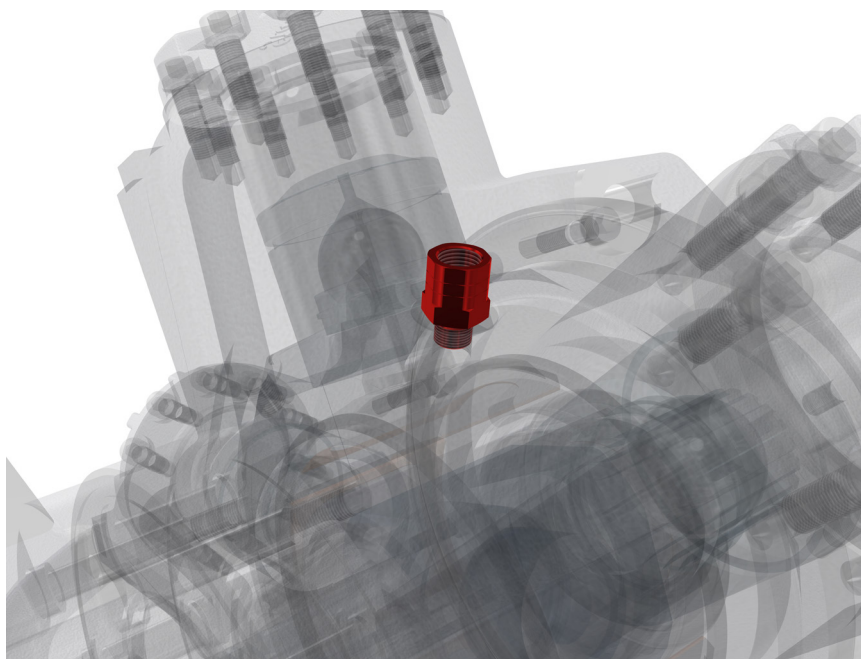
Please contact Kawasaki to order this feature.

2-12 Special Features (cont)

◆ Drain Port Adaptors

Description:

- > Improves manufacturing logistics
- > Motor supplied ready for connection to ½" BSPP male fitting



Technical Information

Motor Type	Adaptor Supplied
HMB010	⅜" BSP to ½" BSPP
HMB030	⅜" BSP to ½" BSPP
HMB045	⅜" BSP to ½" BSPP
HMB045-F(M)3/SM3	¾" UNF 2B to ½" BSPP
HMB060	¾" UNF 2B to ½" BSPP
HMB080	¾" UNF 2B to ½" BSPP
HMB100	¾" UNF 2B to ½" BSPP

Motor Type	Adaptor Supplied
HM(HD)B125	¾" UNF 2B to ½" BSPP
HM(HD)B150	¾" UNF 2B to ½" BSPP
HM(HD)B200	¾" UNF 2B to ½" BSPP
HM(HD)B270	¾" UNF 2B to ½" BSPP
HM(HD)B325	¾" UNF 2B to ½" BSPP
HM(HD)B400	¾" UNF 2B to ½" BSPP
HMB500	¾" UNF 2B to ½" BSPP

One or two drain adaptors can be supplied.

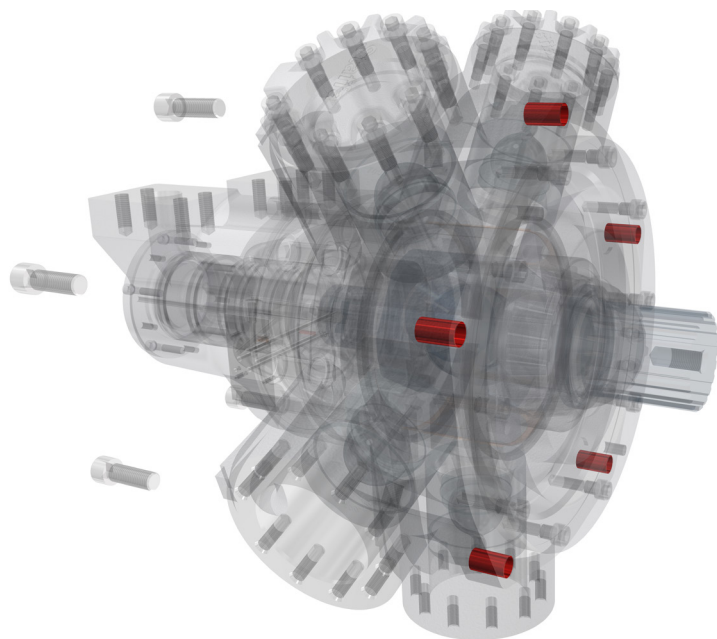
Applicable to:

HMB 010	HMB 030	HMB 030 -F(M)3/SM3	HMB 045	HMB 045 -F(M)3/SM3	HMB 060/080	HMB 100	HM(HD)B 125	HM(HD)B 150/200	HM(HD)B 270	HM(HD)B 325	HM(HD)B 400	HMB 500
●	●	●	●	●	●	●	●	●	●	●	●	●

Please contact Kawasaki to order this feature.

2-12 Special Features (cont)

◆ Mounting Hole Diameter



Description:

- > Matching mounting holes to bolts
- > $\Phi 21\text{mm}$ and $\Phi 22\text{mm}$ options available

Technical Information

In different markets, different bolt standards are adopted which may not be best suited to the standard $\Phi 20\text{mm}$ mounting hole diameter on the HMB motors. To give a correct fit and optimum installation, $\Phi 21\text{mm}$ or $\Phi 22\text{mm}$ holes can be selected on larger frame sizes.



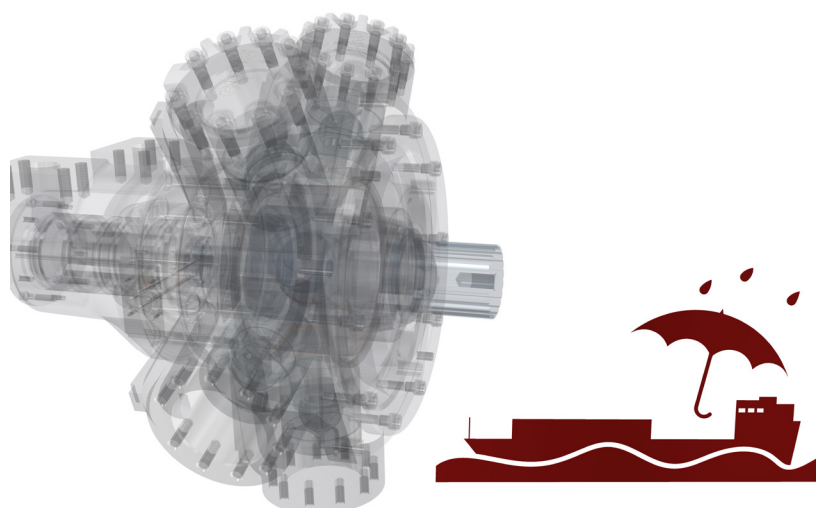
Applicable to:

HMB 010	HMB 030	HMB 030 -F(M)3/SM3	HMB 045	HMB 045 -F(M)3/SM3	HMB 060/080	HMB 100	HM(HD)B 125	HM(HD)B 150/200	HM(HD)B 270	HM(HD)B 325	HM(HD)B 400	HMB 500
○	○	○	○	○	●	●	●	●	●	●	●	●

Please contact Kawasaki to order this feature.

2-12 Special Features (cont)

◆ Marine Specification Primer Paint



Description:

- > Improves corrosion and water resistance of the finishing system
- > Excellent adhesion strength
- > Recommended for marine applications

Technical Information

Colour	Red oxide
Type	Single pack epoxy etching primer
Standard	BS 3900 part A 8
Dry film thickness	> 12µm

Applicable to:

HMB 010	HMB 030	HMB 030 -F(M)3/SM3	HMB 045	HMB 045 -F(M)3/SM3	HMB 060/080	HMB 100	HM(HD)B 125	HM(HD)B 150/200	HM(HD)B 270	HM(HD)B 325	HMHDB 400	HMB 500
●	●	●	●	●	●	●	●	●	●	●	●	●

Please contact Kawasaki to order this feature.

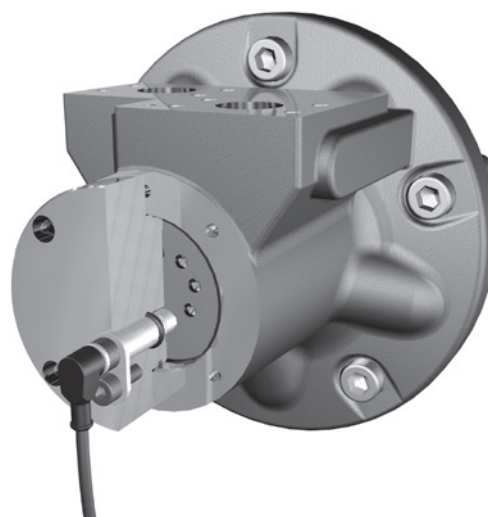
2-12 Special Features (cont)

Tj speed sensor with Tk readout option

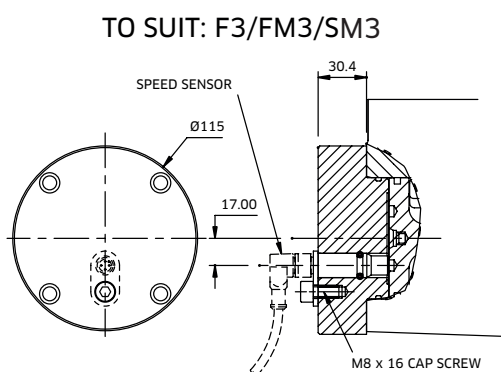
Tj Speed Sensor Technical Specification

The Tj speed sensor is a hall effect dual channel speed probe that can provide feedback of both speed and direction.

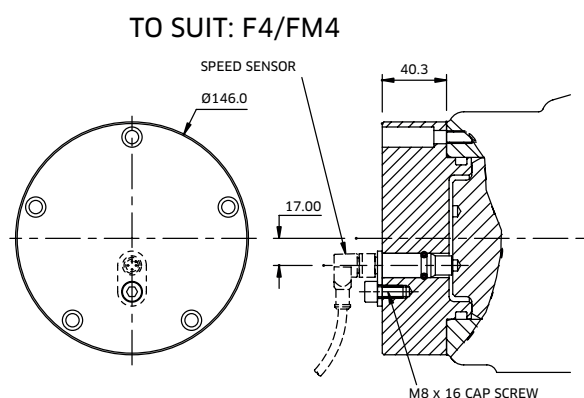
Signal Outputs:	Square wave plus directional signal
Power Supply:	8 to 32V @ 40mA
Protection class:	IP68
Output frequency:	16 pulses/revolution



Installation Details



'Tj'

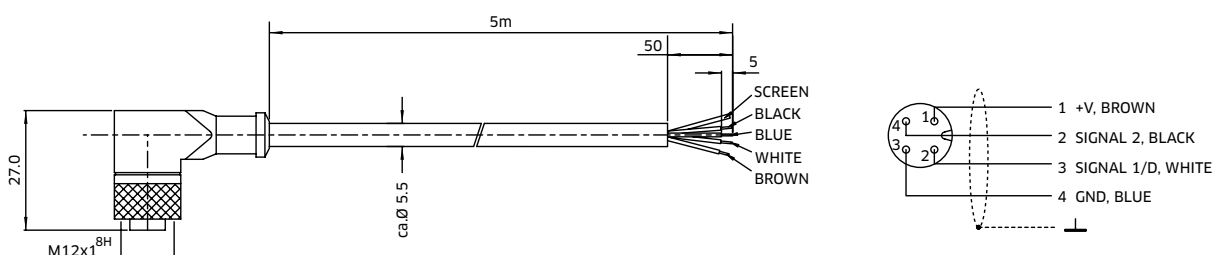


Tk Output Module

The Tk option consists of the Tj speed sensor together with the optional T401 output module.

The addition of the T401 module provides a software configured single channel tachometer and relay with a 0/4-20mA analogue current output.

The software and calibration cable is also provided.



* Cannot be fitted to HMB010

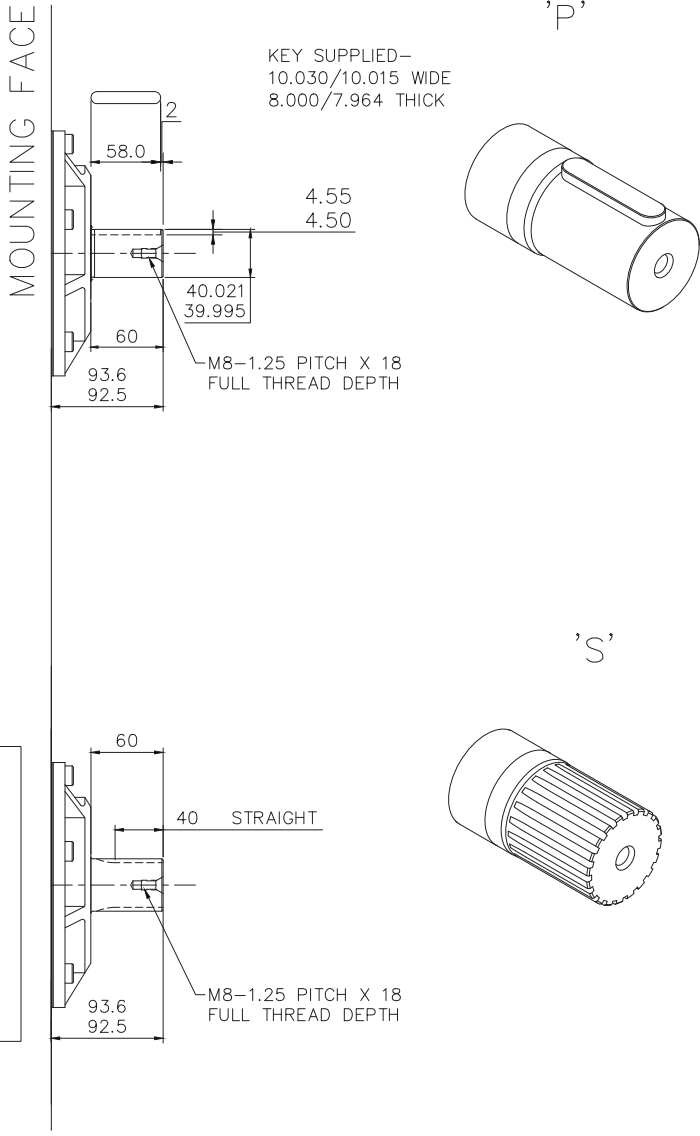
NOTES

3

Dimensions

3-1 HMB010

◆ 'P' & 'S' Shafts



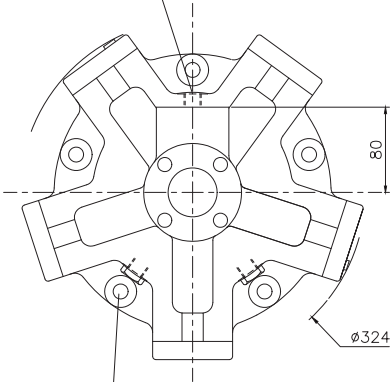
SPLINE DATA

'S'	
TO BS 3550 (ANSI B92.1 CLASS 5)	
FLAT ROOT SIDE FIT, CLASS 1	
PRESSURE ANGLE	30°
NUMBER OF TEETH	13
PITCH	8/16
MAJOR DIAMETER	43.71/43.59
FORM DIAMETER	38.136
MINOR DIAMETER	37.36/36.91
PIN DIAMETER	6.096
DIAMETER OVER PINS	50.104/50.152

3-1 HMB010 (cont)

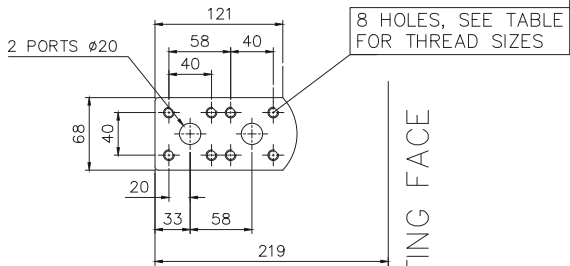
Installation

3/8" BSP DRAIN (CHOICE OF 3 POSITIONS)
(2 NORMALLY PLUGGED)
NOTE: - ENSURE ON INSTALLATION THAT DRAIN IS
TAKEN FROM ABOVE MOTOR CENTRELINE.
DO NOT EXCEED 12 DEPTH OF COUPLING
IN TO DRAIN PORT



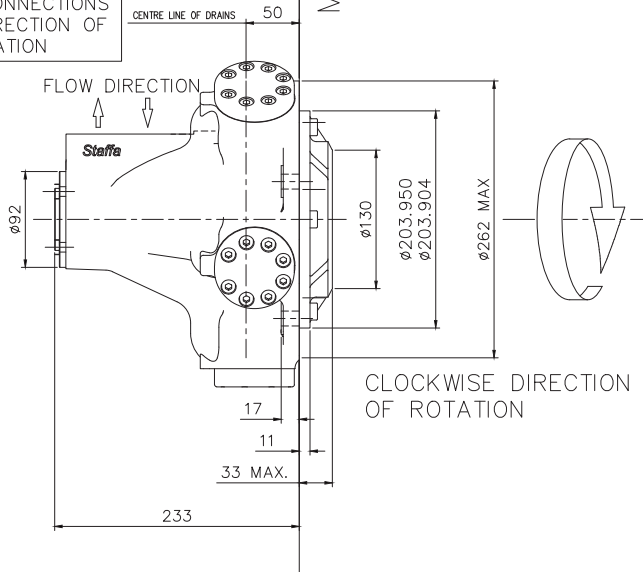
5 HOLES ø14 EQUI-SPACED AS
SHOWN ON A 230.0 P.C.D. SPOTFACED
TO GIVE AN EFFECTIVE ø28.
± ø0.15

PORT FLANGE BOLT TAPPING SIZE -
M10 X P1.5 X 20 FULL THREAD DEPTH



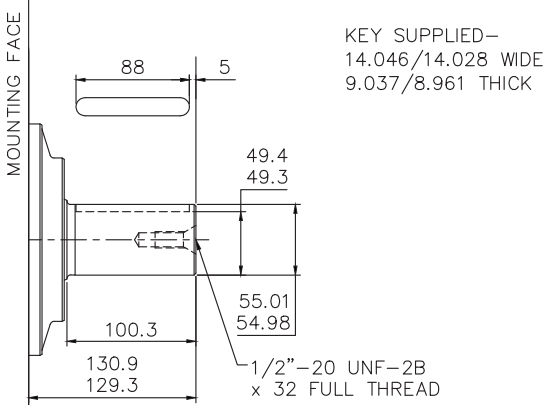
8 HOLES, SEE TABLE
FOR THREAD SIZES

REVERSE PORT CONNECTIONS
FOR OPPOSITE DIRECTION OF
SHAFT ROTATION

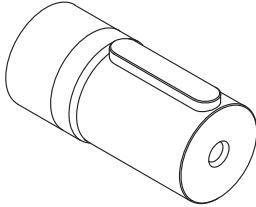


3-2 HMB030

Monobloc - 'P', 'S' and 'Z' Shafts



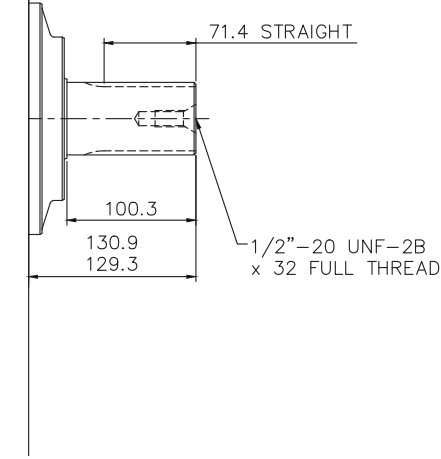
'P'



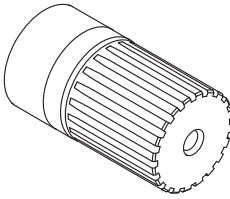
SPLINE DATA

'S'	
TO BS 3550 (ANSI B92.1 CLASS 5)	
FLAT ROOT SIDE FIT, CLASS 1	
PRESSURE ANGLE	30°
NUMBER OF TEETH	17
PITCH	8/16
MAJOR DIAMETER	56.41/56.28
FORM DIAMETER	50.703
MINOR DIAMETER	50.07/49.60
PIN DIAMETER	6.096
DIAMETER OVER PINS	62.985/62.931

'Z'	
DIN 5480, W55 X 3 X 17 X 7h	

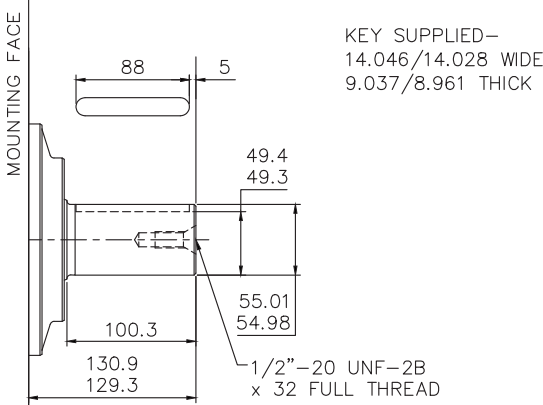


'S' & 'Z'

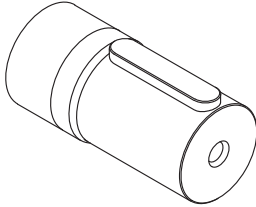


3-3 HMB030 (cont)

2 Piece - 'P', 'S' and 'Z' Shafts



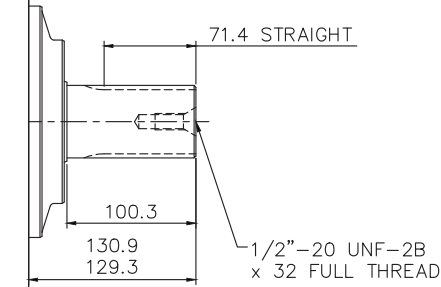
'P'



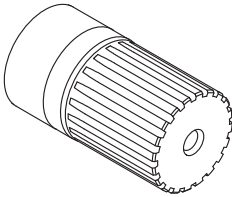
SPLINE DATA

'S'	
TO BS 3550 (ANSI B92.1 CLASS 5)	
FLAT ROOT SIDE FIT, CLASS 1	
PRESSURE ANGLE	30°
NUMBER OF TEETH	17
PITCH	8/16
MAJOR DIAMETER	56.41/56.28
FORM DIAMETER	50.703
MINOR DIAMETER	50.07/49.60
PIN DIAMETER	6.096
DIAMETER OVER PINS	62.985/62.931

'Z'	
DIN 5480, W55 X 3 X 17 X 7h	



'S' & 'Z'



3-2 HMB030 (cont)

◆ 2 Piece - 'F3' & 'FM3' Valve Housings

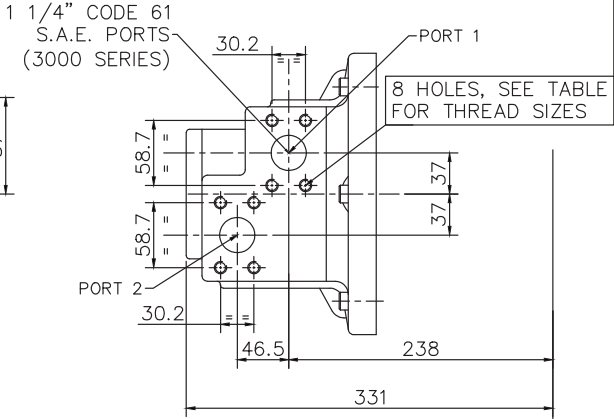
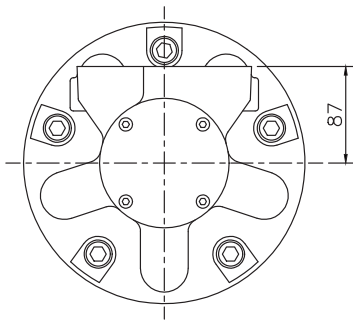
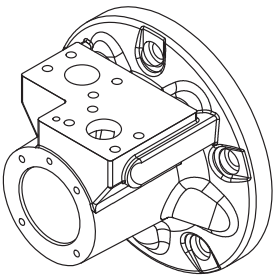
MOUNTING FACE



VIEWS ON ARROW 'A'

F3/FM3 -
3" VALVE HOUSING WITH
1 1/4" SAE 4-BOLT FLANGES

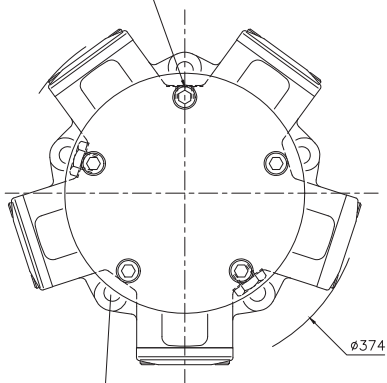
PORT FLANGE BOLT TAPPING SIZE -
F3: 7/16"-14 UNC-2B X 27 FULL THREAD DEPTH
FM3: M12 X P1.75 X 27 FULL THREAD DEPTH



3-2 HMB030 (cont)

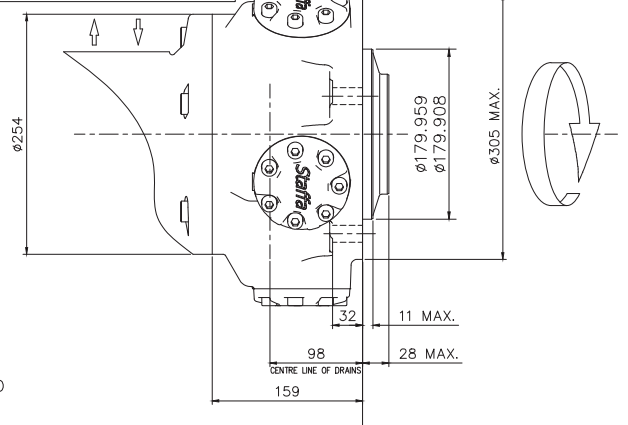
2 Piece - Installation

3/8" BSP x 17 FULL THREAD (CHOICE OF 3 POSITIONS) (2 NORMALLY PLUGGED)
 NOTE: - ENSURE ON INSTALLATION THAT DRAIN IS TAKEN FROM ABOVE MOTOR CENTRELINE.
 DO NOT EXCEED 12 DEPTH OF COUPLING IN TO DRAIN PORT



5 HOLES $\phi 18$ EQUI-SPACED AS SHOWN ON A $[260.1]$ P.C.D. SPOTFACED TO GIVE AN EFFECTIVE $\phi 35$.
 $\oplus \phi 0.15$

REVERSE PORT CONNECTIONS FOR OPPOSITE DIRECTION OF SHAFT ROTATION
 FLOW DIRECTION FOR ALL VLV HSG VARIANTS EXCEPT F2/FM2/SM3



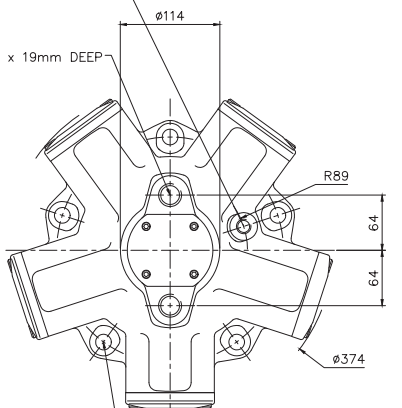
Monobloc - Rear Port Installation

EXAMPLE FOR MODEL CODE.

REAR ENTRY MOTORCASE - HMB030/P/21

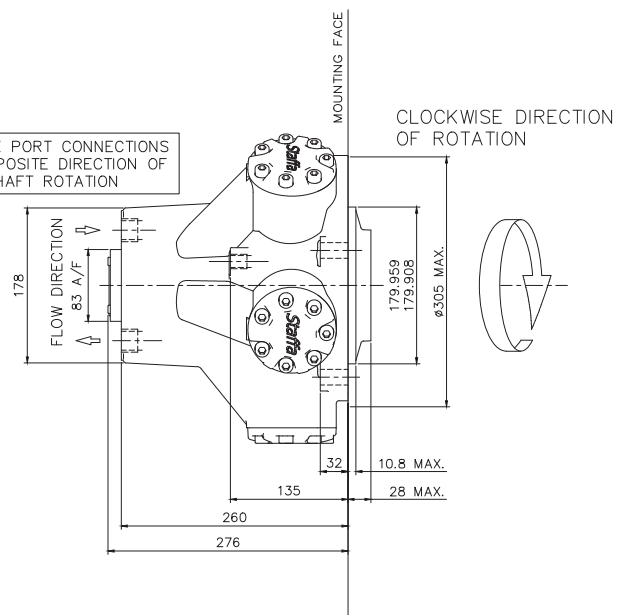
3/8" BSP DRAIN
 NOTE: - ENSURE ON INSTALLATION THAT DRAIN IS CONNECTED TO PORT ABOVE MOTOR

2 PORTS 3/4" BSP x 19mm DEEP



5 HOLES $\phi 18$ EQUI-SPACED AS SHOWN ON A $[260.1]$ P.C.D. SPOTFACED TO GIVE AN EFFECTIVE $\phi 35$.
 $\oplus \phi 0.15$

REVERSE PORT CONNECTIONS FOR OPPOSITE DIRECTION OF SHAFT ROTATION



3-2 HMB030 (cont)

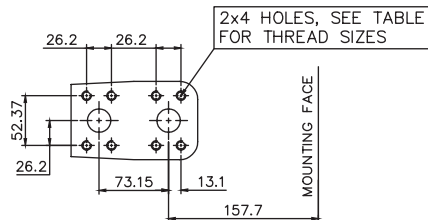
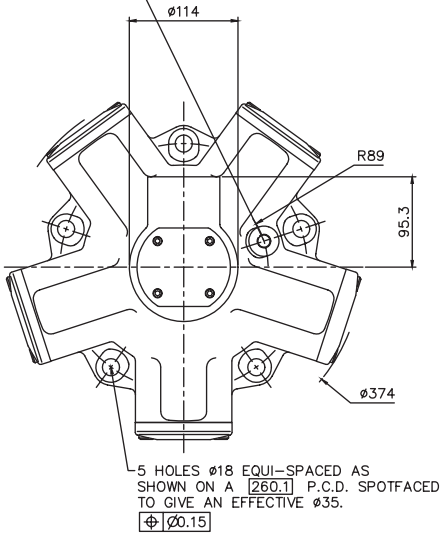
Monobloc - Side Port Installation

2 PORTS $\phi 25$ TO SUIT SAE
CODE 61, 1" NOM. SPLIT FLANGE

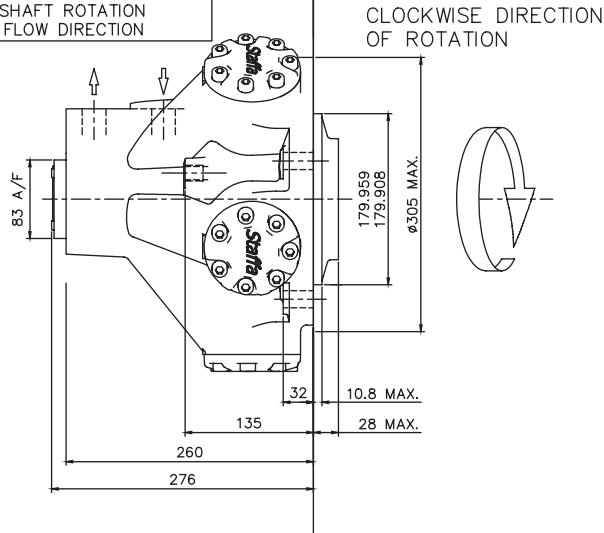
PORT FLANGE BOLT TAPPING SIZE -
F: 3/8"-16 UNC-2B X 16 FULL THREAD DEPTH
FM: M10 X P1.5 X 16 FULL THREAD DEPTH

EXAMPLE FOR MODEL CODE.
SIDE ENTRY MOTORCASE - HMB030/P/FM/21

3/8" BSP DRAIN
NOTE: - ENSURE ON INSTALLATION THAT DRAIN IS
CONNECTED TO PORT ABOVE MOTOR

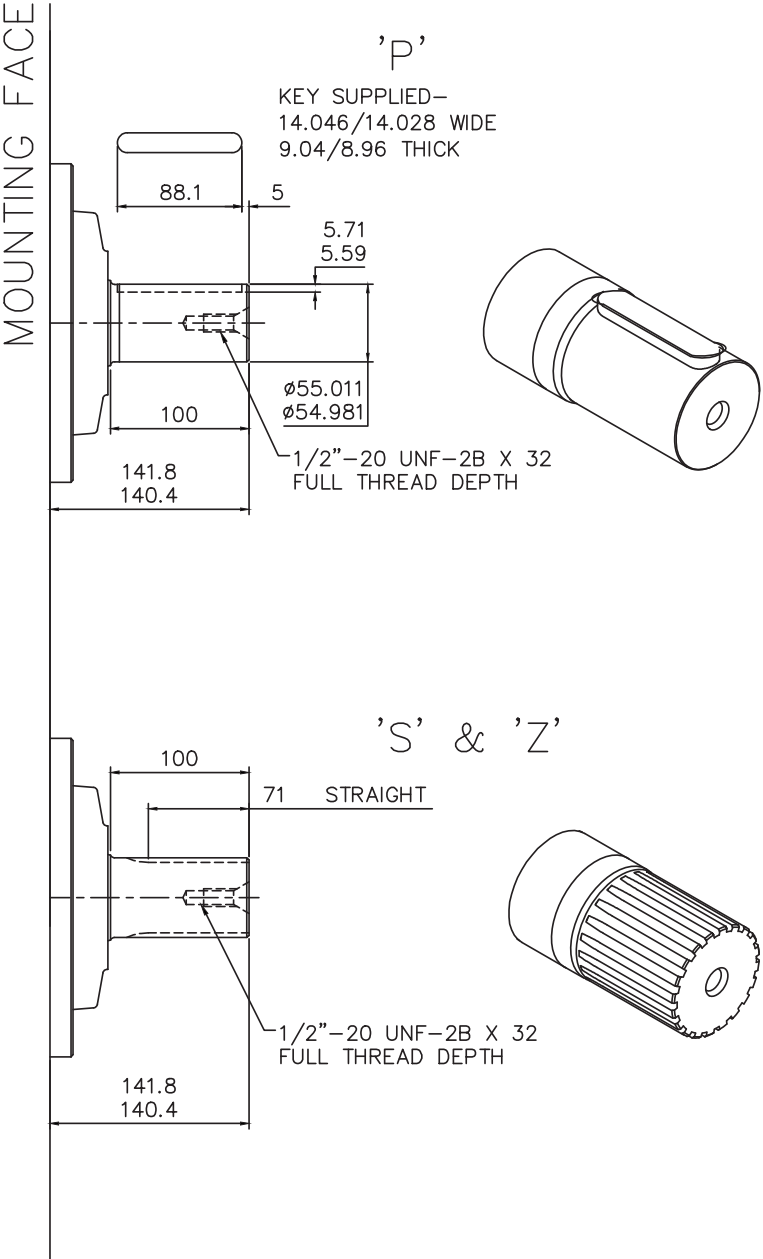


REVERSE PORT CONNECTIONS
FOR OPPOSITE DIRECTION OF
SHAFT ROTATION
FLOW DIRECTION



3-3 HMB045

Monobloc - 'P', 'S' & 'Z' Shafts



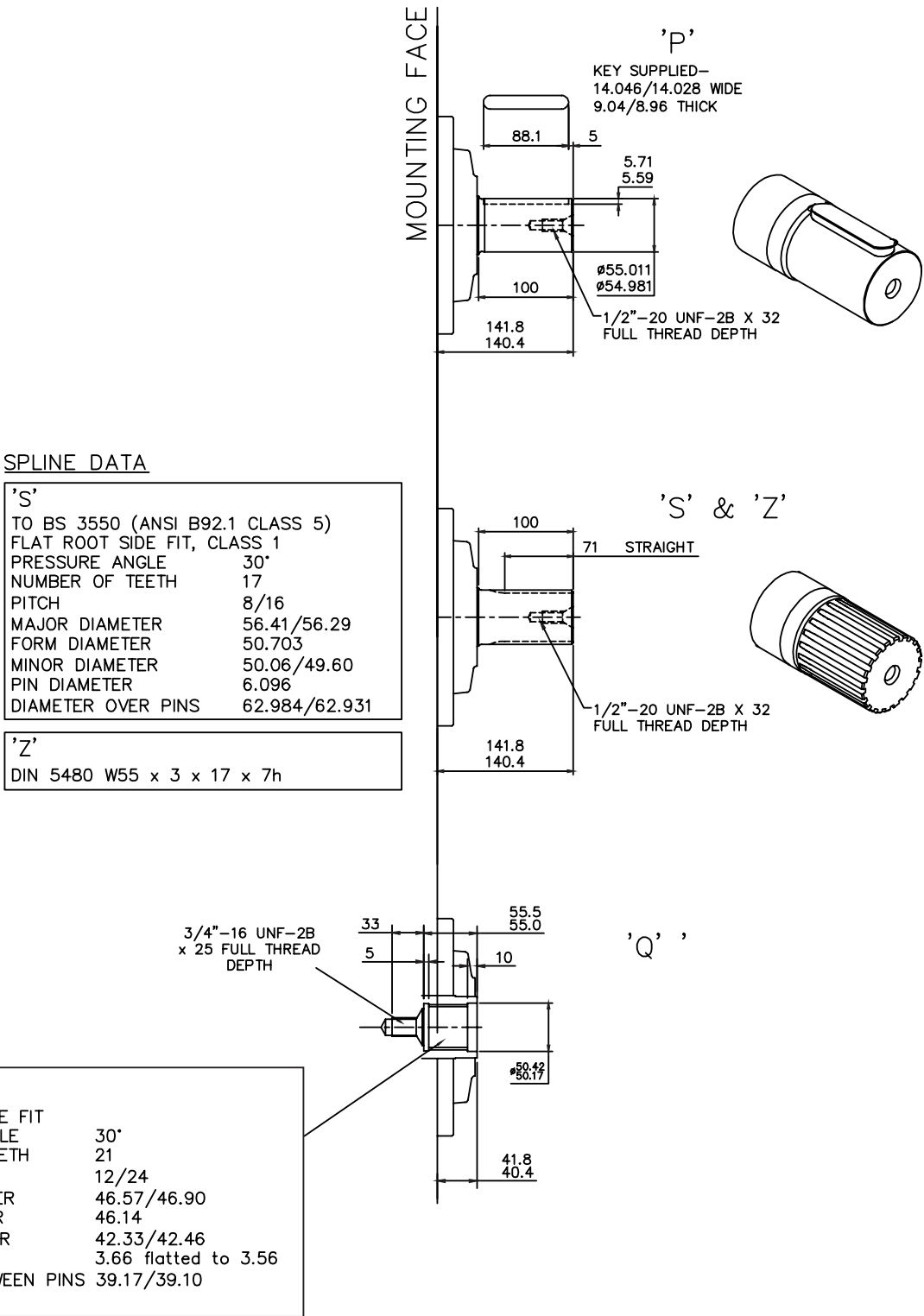
SPLINE DATA

'S'	
TO BS 3550 (ANSI B92.1 CLASS 5)	
FLAT ROOT SIDE FIT, CLASS 1	
PRESSURE ANGLE	30°
NUMBER OF TEETH	17
PITCH	8/16
MAJOR DIAMETER	56.41/56.29
FORM DIAMETER	50.703
MINOR DIAMETER	50.06/49.60
PIN DIAMETER	6.096
DIAMETER OVER PINS	62.984/62.931

'Z'	
DIN 5480 W55 x 3 x 17 x 7h	

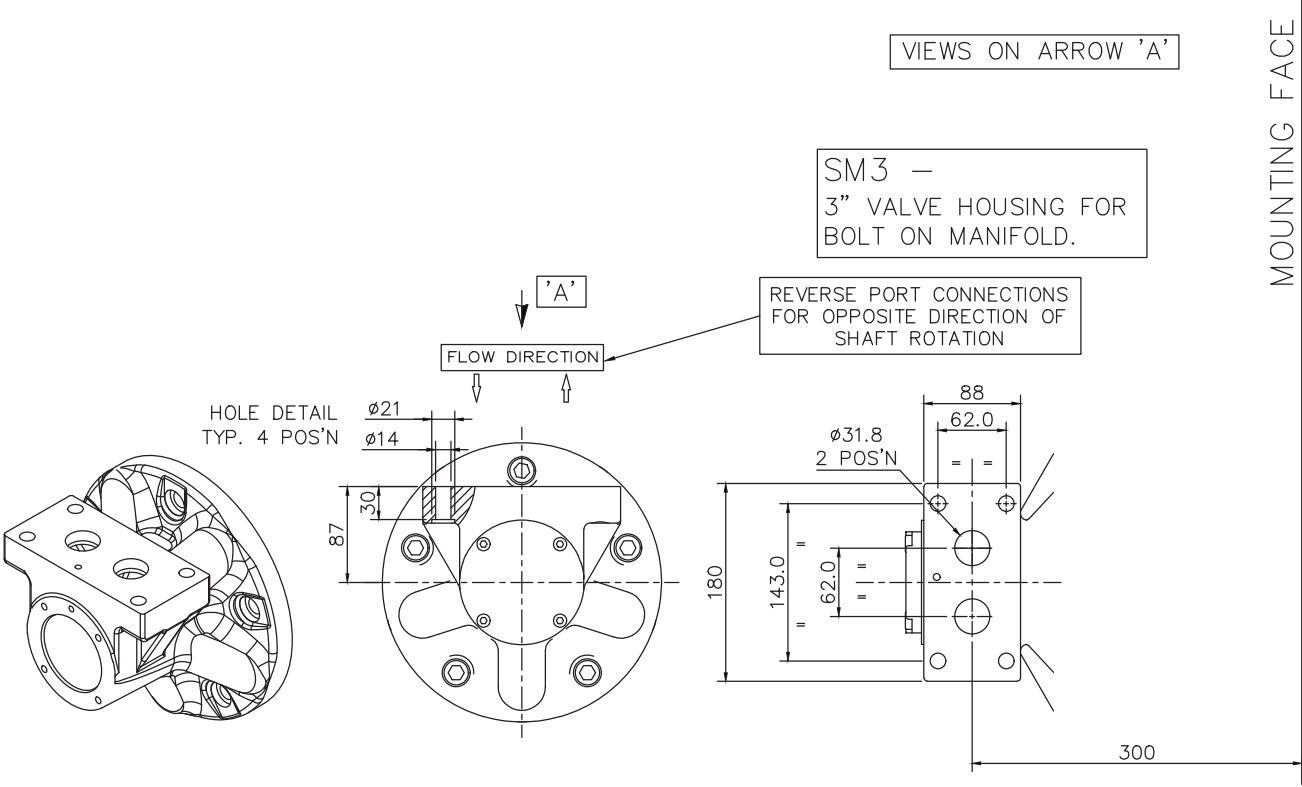
3-3 HMB045 (cont)

2 Piece - 'P', 'S', 'Z' & Q Shafts



3-3 HMB045 (cont)

2 Piece -'SM3' Valve Housing



3-3 HMB045 (cont)

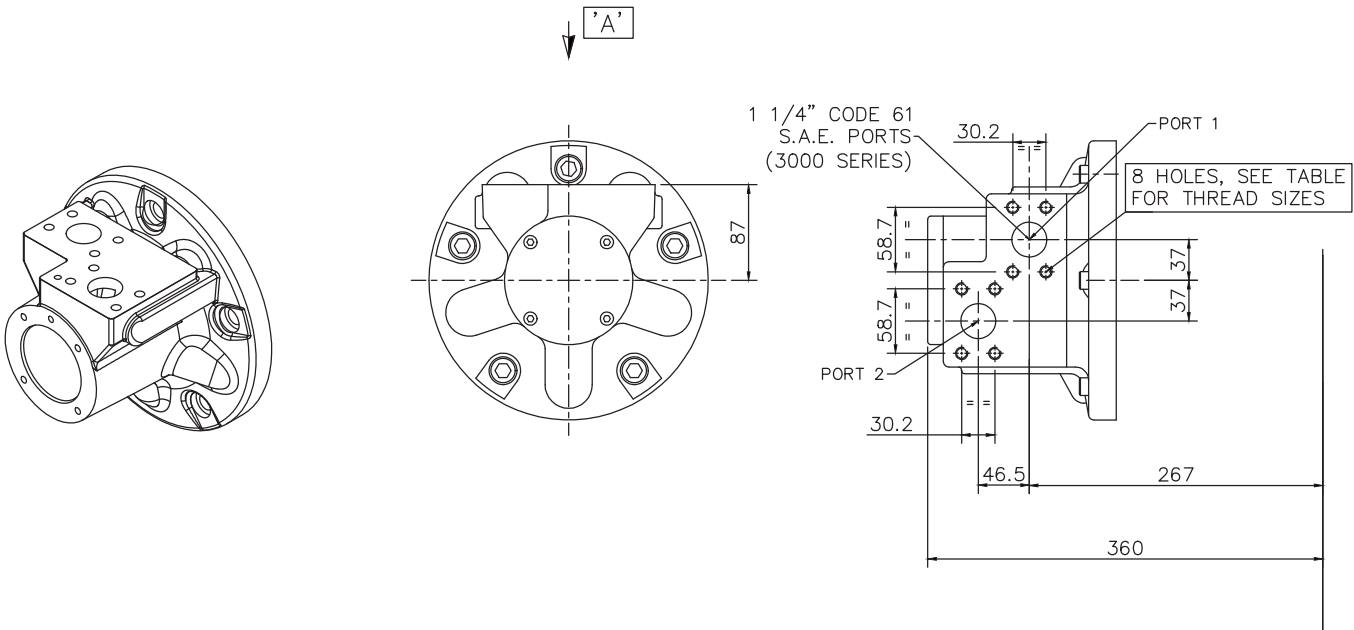
◆ 2 Piece - 'F3' & 'FM3' Valve Housings

VIEWS ON ARROW 'A'

F3/FM3 –
3" VALVE HOUSING WITH
1 1/4" SAE 4-BOLT FLANGES

PORT FLANGE BOLT TAPPING SIZE –
F3: 7/16"–14 UNC–2B X 27 FULL THREAD DEPTH
FM3: M12 X P1.75 X 27 FULL THREAD DEPTH

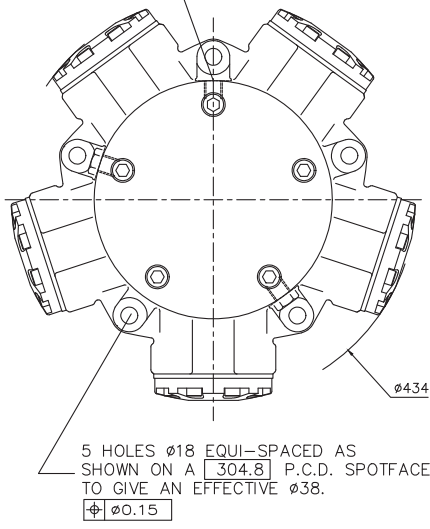
MOUNTING FACE



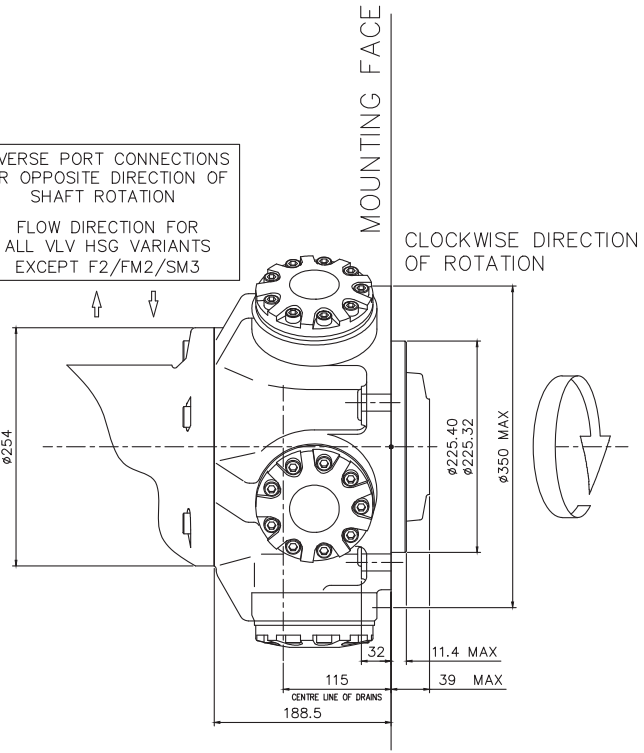
3-3 HMB045 (cont)

2 Piece - Installation

3/4"-16 UNF-2B DRAIN (CHOICE OF 3 POSITIONS)
(2 NORMALLY PLUGGED)
NOTE: - ENSURE ON INSTALLATION THAT DRAIN IS
TAKEN FROM ABOVE MOTOR CENTRELINE.
DO NOT EXCEED 12 DEPTH OF COUPLING
IN TO DRAIN PORT

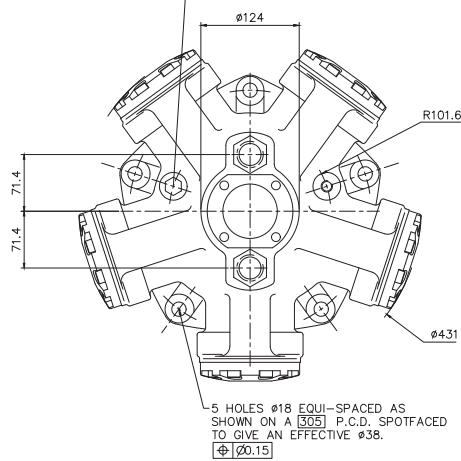


REVERSE PORT CONNECTIONS FOR OPPOSITE DIRECTION OF SHAFT ROTATION
FLOW DIRECTION FOR ALL VLV HSG VARIANTS EXCEPT F2/FM2/SM3

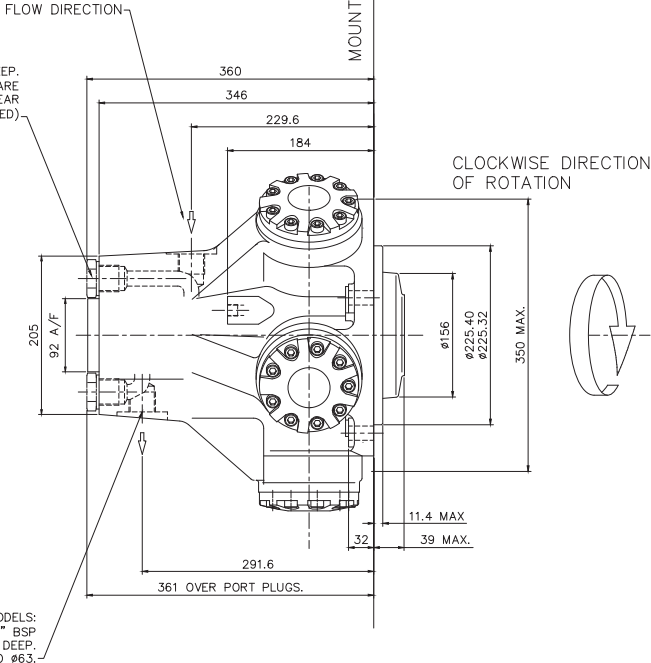


Monobloc - Installation

3/8" BSP DRAIN. 19mm DEEP, SPOTFACED $\phi 28$
(CHOICE OF 3 POSITIONS) (1 NORMALLY PLUGGED)
NOTE: - ENSURE ON INSTALLATION THAT DRAIN IS
TAKEN FROM ABOVE MOTOR CENTRELINE.



REVERSE PORT CONNECTIONS FOR OPPOSITE DIRECTION OF SHAFT ROTATION

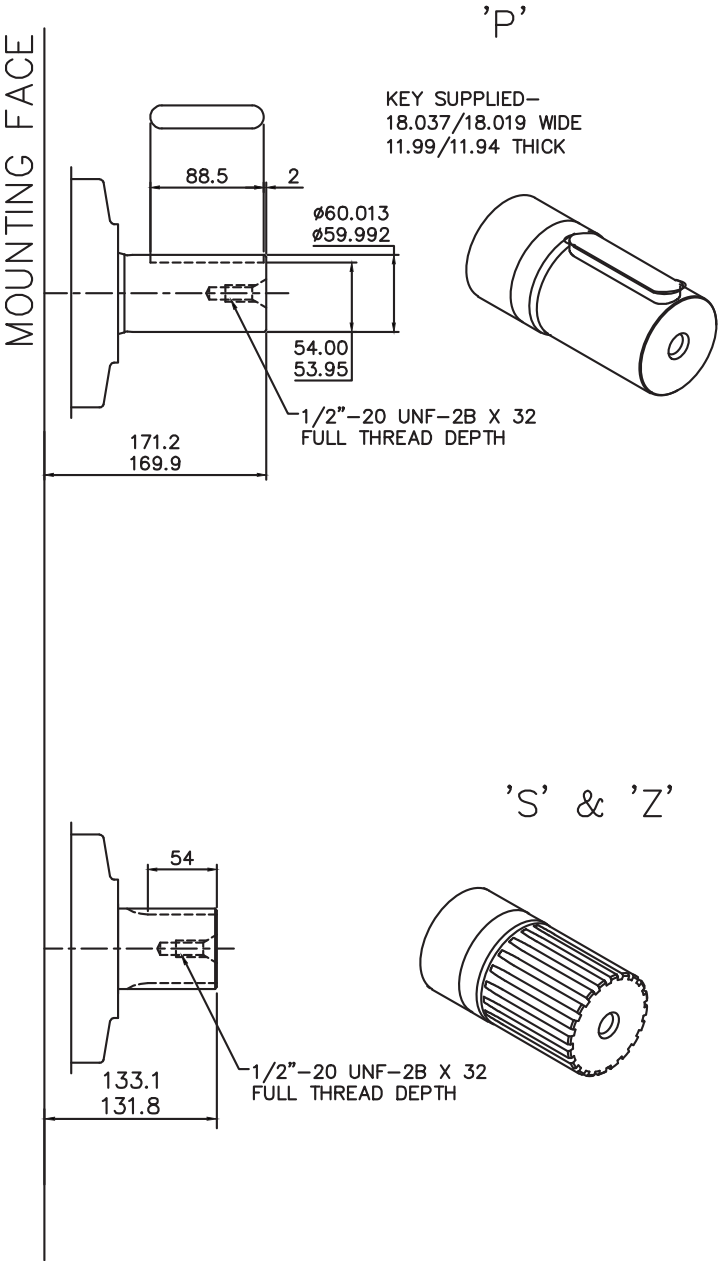


2 PORTS 1" BSP X 25 DEEP. (DUAL ENTRY MODELS ARE SUPPLIED WITH THESE REAR PORTS PLUGGED)

DUAL ENTRY MODELS:
2 SIDE PORTS 1" BSP X 25 DEEP. SPOTFACED TO $\phi 63$.

3-4 HMB060/080

◆ 'P', 'S' & 'Z' Shafts



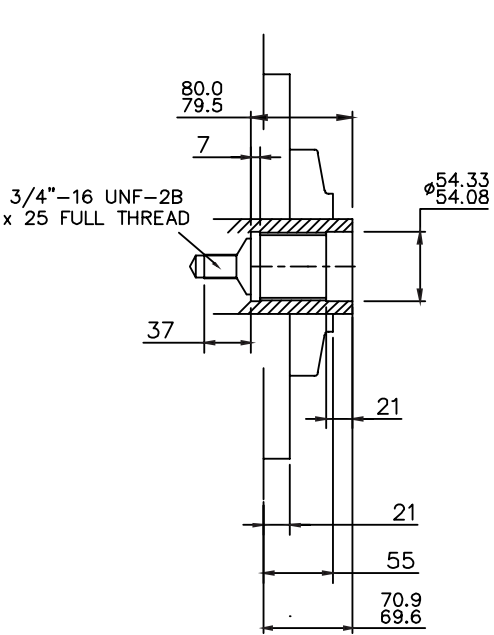
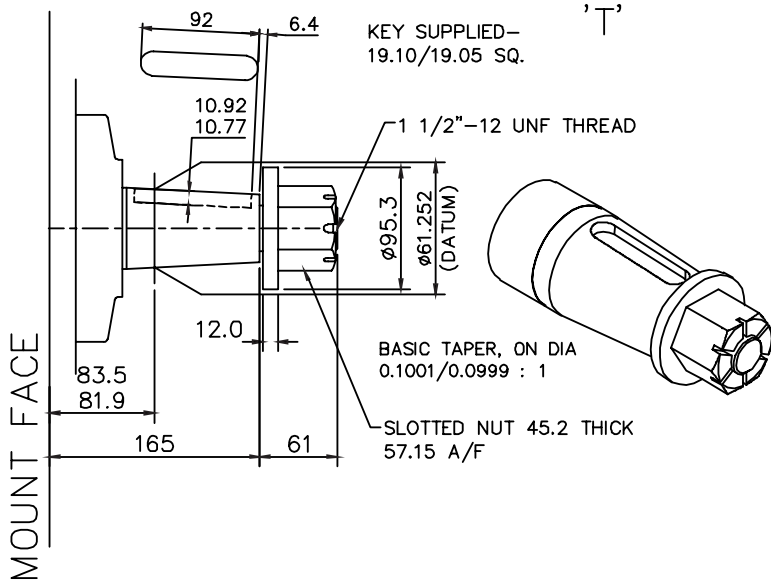
SPLINE DATA

'S'	
TO BS 3550 (ANSI B92.1 CLASS 5)	
FLAT ROOT SIDE FIT, CLASS 1	
PRESSURE ANGLE	30°
NUMBER OF TEETH	14
PITCH	6/12
MAJOR DIAMETER	62.553/62.425
FORM DIAMETER	55.052
MINOR DIAMETER	54.084/53.525
PIN DIAMETER	8.128
DIAMETER OVER PINS	71.593/71.544

'Z'	
DIN 5480 W70 x 3 x 30 x 22 x 7h	

3-4 HMB060/080 (cont)

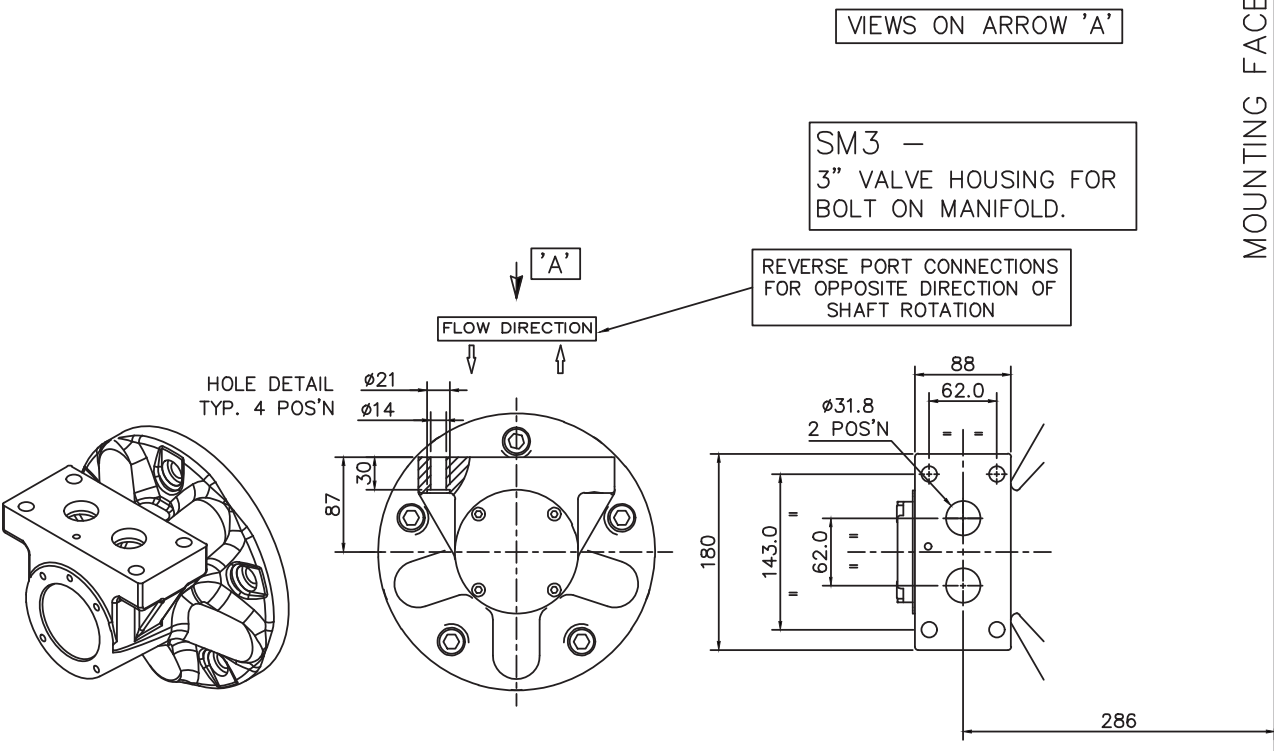
◆ 'T' & 'Q' Shafts



SPLINE DATA	
TO BS 3550	
FLAT ROOT SIDE FIT	
PRESSURE ANGLE	30°
NUMBER OF TEETH	24
PITCH	12/24
MAJOR DIAMETER	53.25/52.92
MINOR DIAMETER	48.81/48.68
FORM DIAMETER	52.49
PIN DIAMETER	3.66 flattened to 3.56
DIMENSION BETWEEN PINS	45.63/45.55

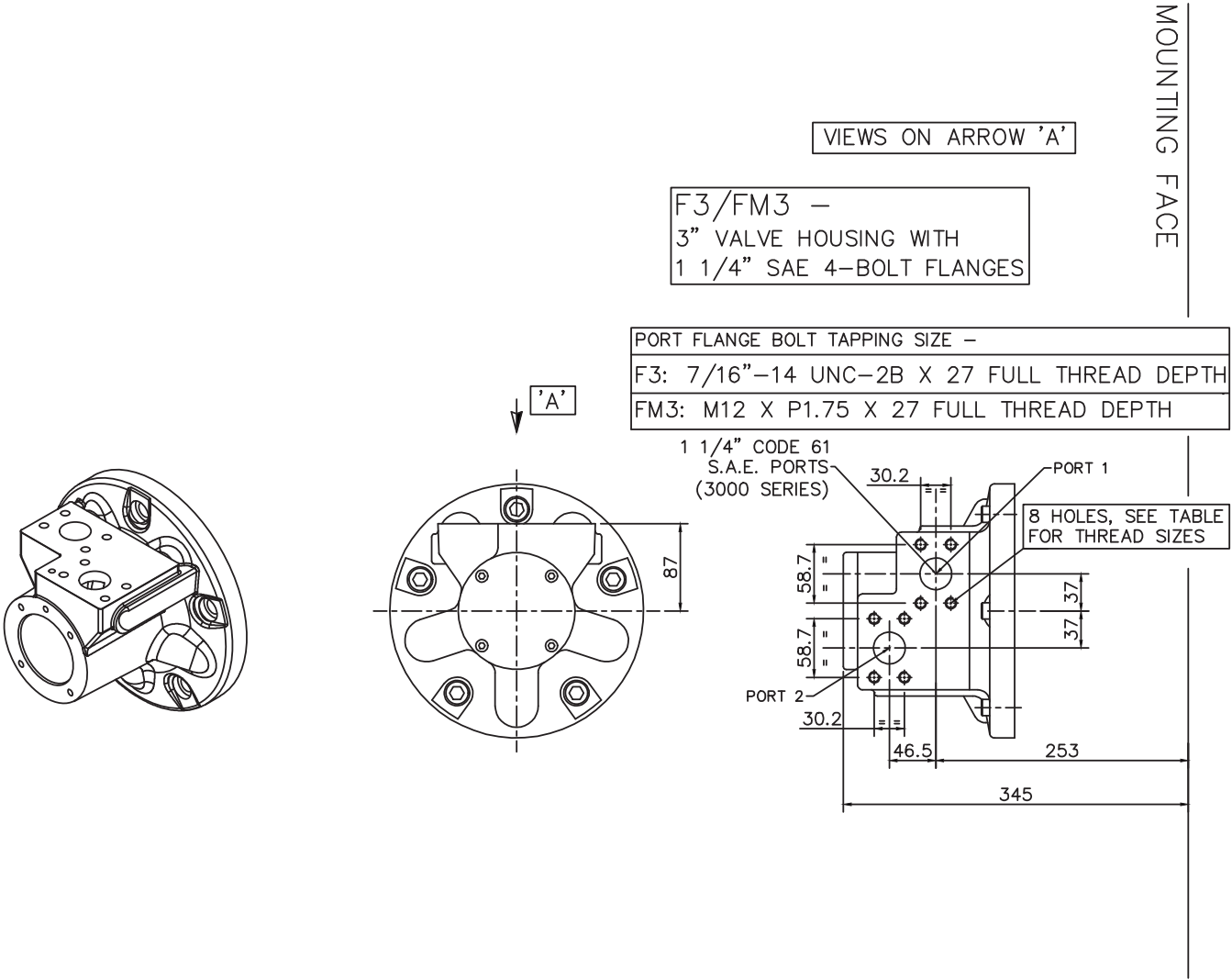
3-4 HMB060/080 (cont)

◆ 'SM3' Valve Housing



3-4 HMB060/080 (cont)

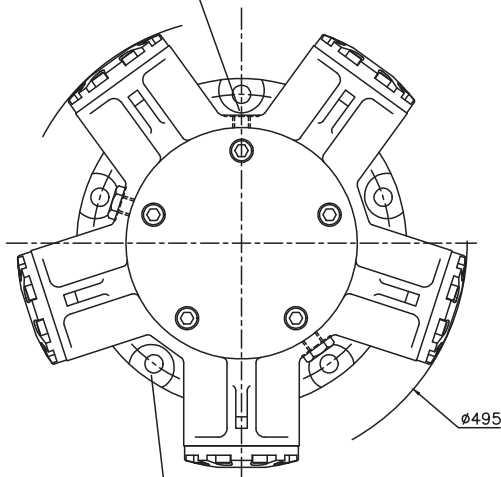
'F3' & 'FM3' Valve Housings



3-4 HMB060/080 (cont)

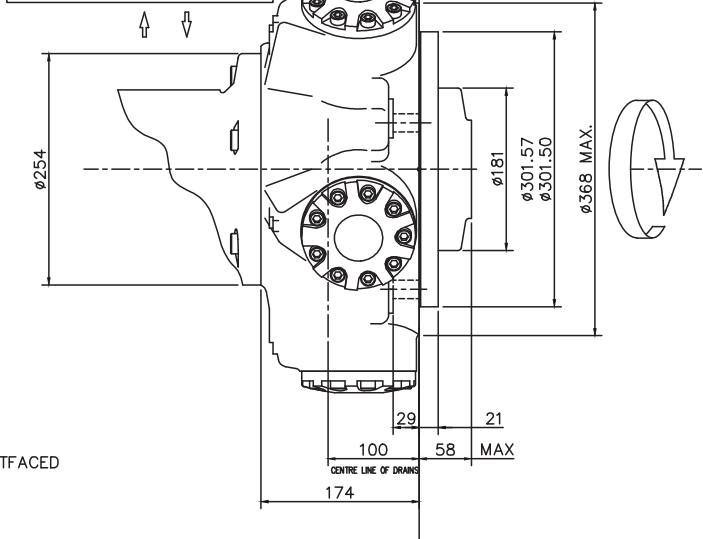
Installation

3/4"-16UNF-2B DRAIN (CHOICE OF 3 POSITIONS)
(2 NORMALLY PLUGGED)
NOTE: - ENSURE ON INSTALLATION THAT DRAIN IS
TAKEN FROM ABOVE MOTOR CENTRELINE.
DO NOT EXCEED 12 DEPTH OF COUPLING
IN TO DRAIN PORT



5 HOLES $\phi 20$ EQUI-SPACED AS
SHOWN ON A $\frac{327.03}{1000}$ P.C.D. SPOTFACED
TO GIVE AN EFFECTIVE $\phi 40$.
 ± 0.15

REVERSE PORT CONNECTIONS
FOR OPPOSITE DIRECTION OF
SHAFT ROTATION
FLOW DIRECTION FOR
ALL VLV HSG VARIANTS
EXCEPT SM3



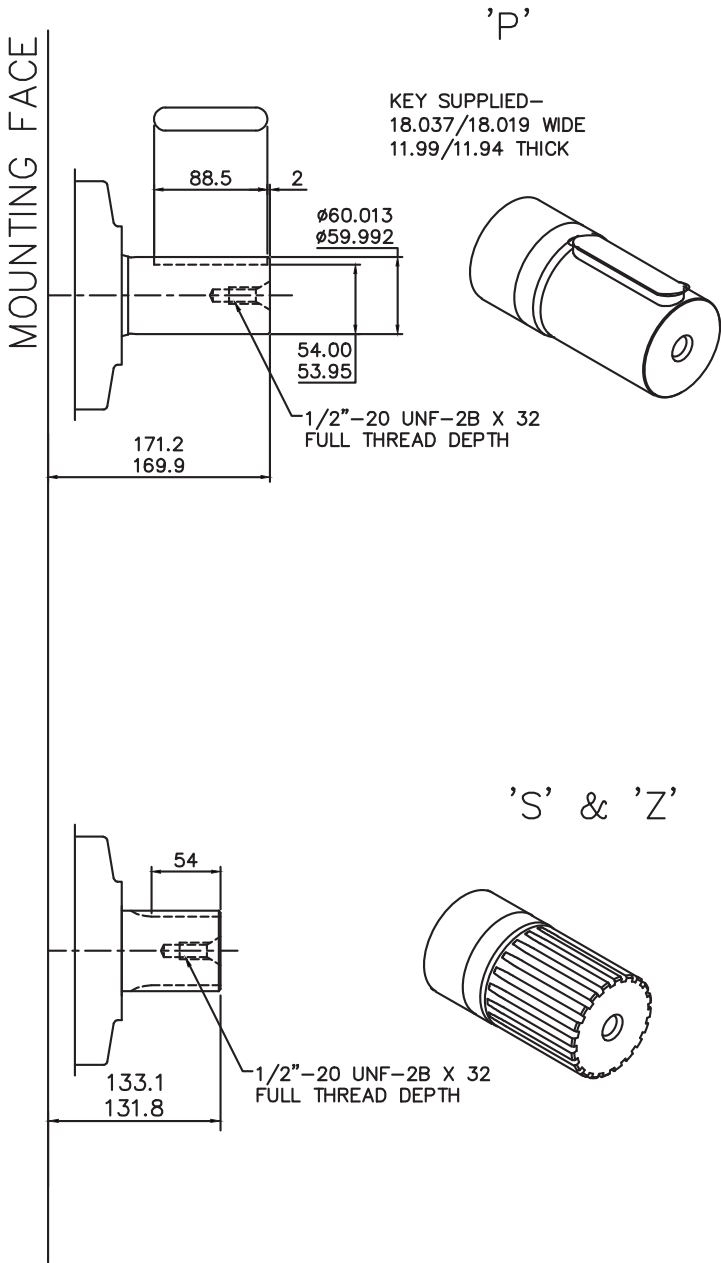
3-5 HMB100

◆ 'P', 'S' & 'Z' Shafts

SPLINE DATA

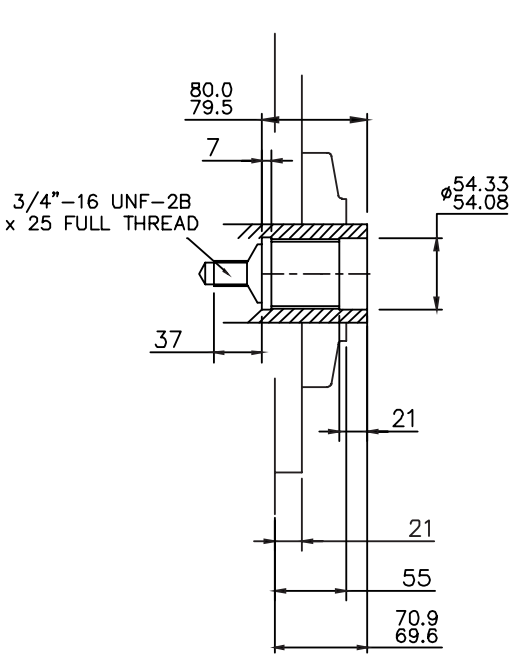
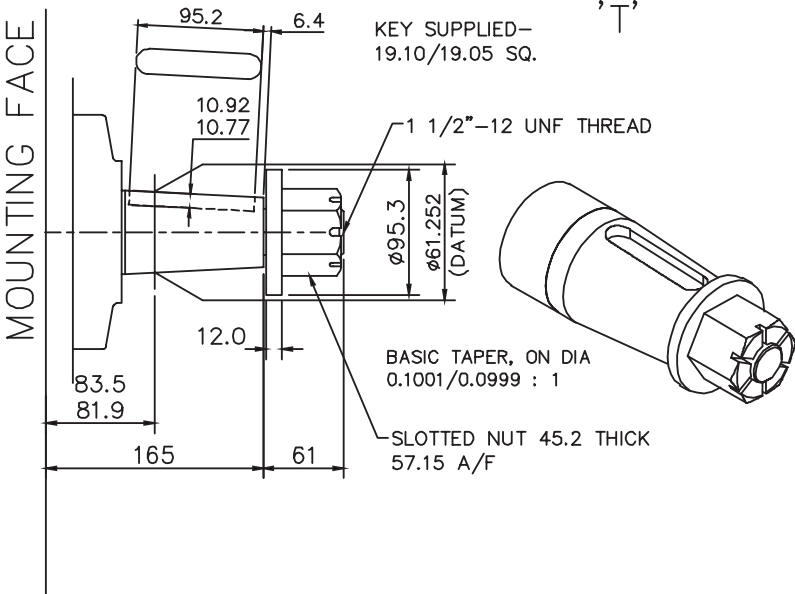
'S'	
TO BS 3550 (ANSI B92.1 CLASS 5)	
FLAT ROOT SIDE FIT, CLASS 1	
PRESSURE ANGLE	30°
NUMBER OF TEETH	14
PITCH	6/12
MAJOR DIAMETER	62.553/62.425
FORM DIAMETER	55.052
MINOR DIAMETER	54.084/53.525
PIN DIAMETER	8.128
DIAMETER OVER PINS	71.593/71.544

'Z'	
DIN 5480 W70 x 3 x 30 x 22 x 7h	



3-5 HMB100 (cont)

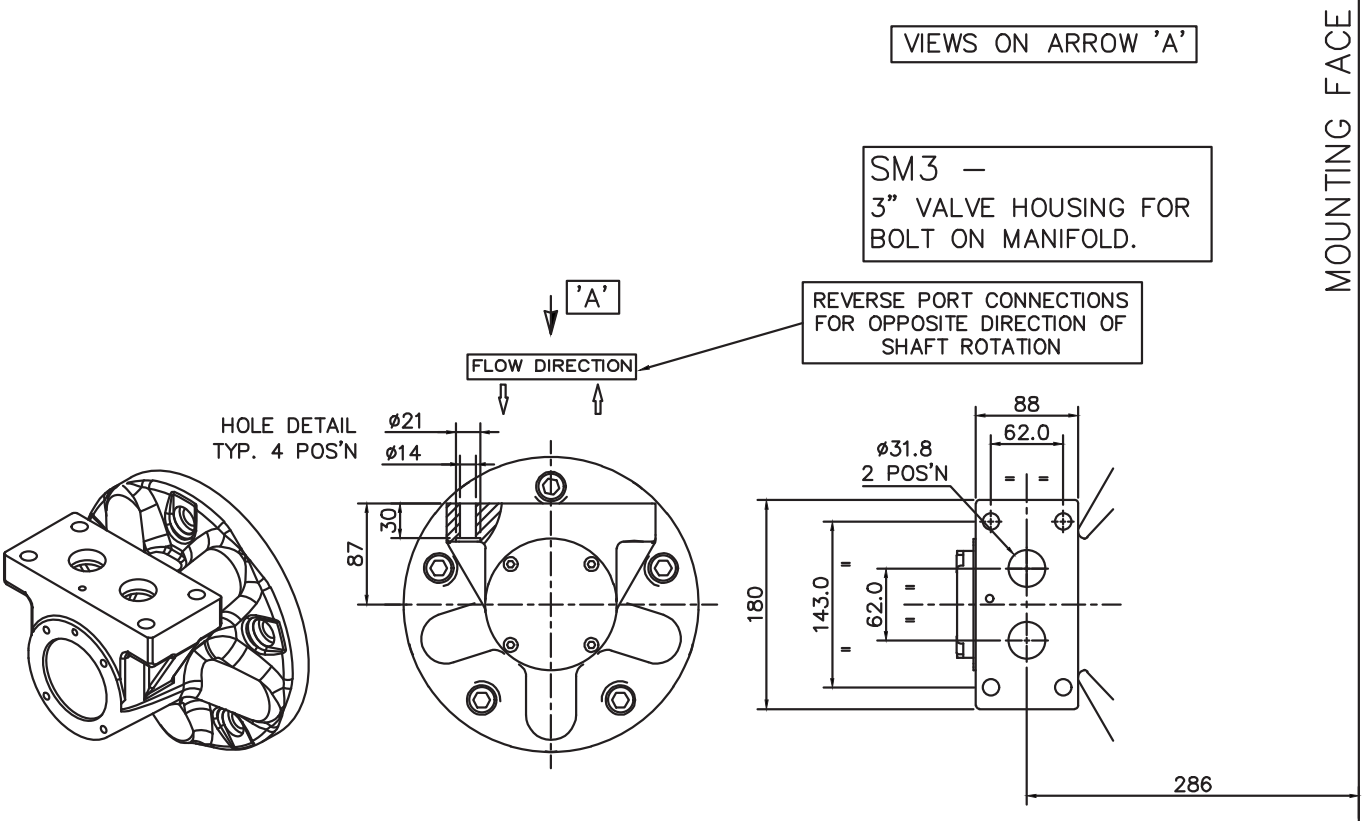
◆ 'T' & 'Q' Shafts



SPLINE DATA	
TO BS 3550	
FLAT ROOT SIDE FIT	
PRESSURE ANGLE	30°
NUMBER OF TEETH	24
PITCH	12/24
MAJOR DIAMETER	53.25/52.92
MINOR DIAMETER	48.81/48.68
FORM DIAMETER	52.49
PIN DIAMETER	3.66 flattened to 3.56
DIMENSION BETWEEN PINS	45.63/45.55

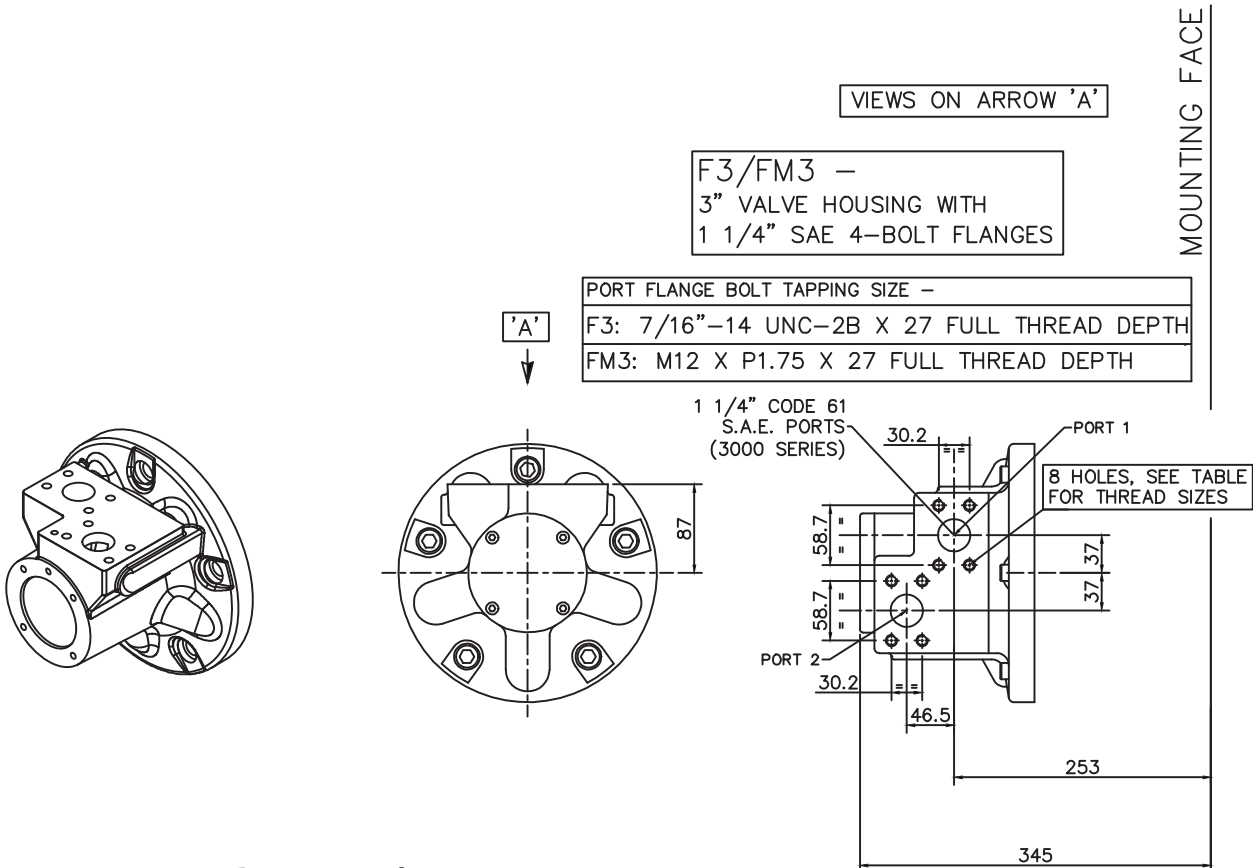
3-5 HMB100 (cont)

'SM3' Valve Housing

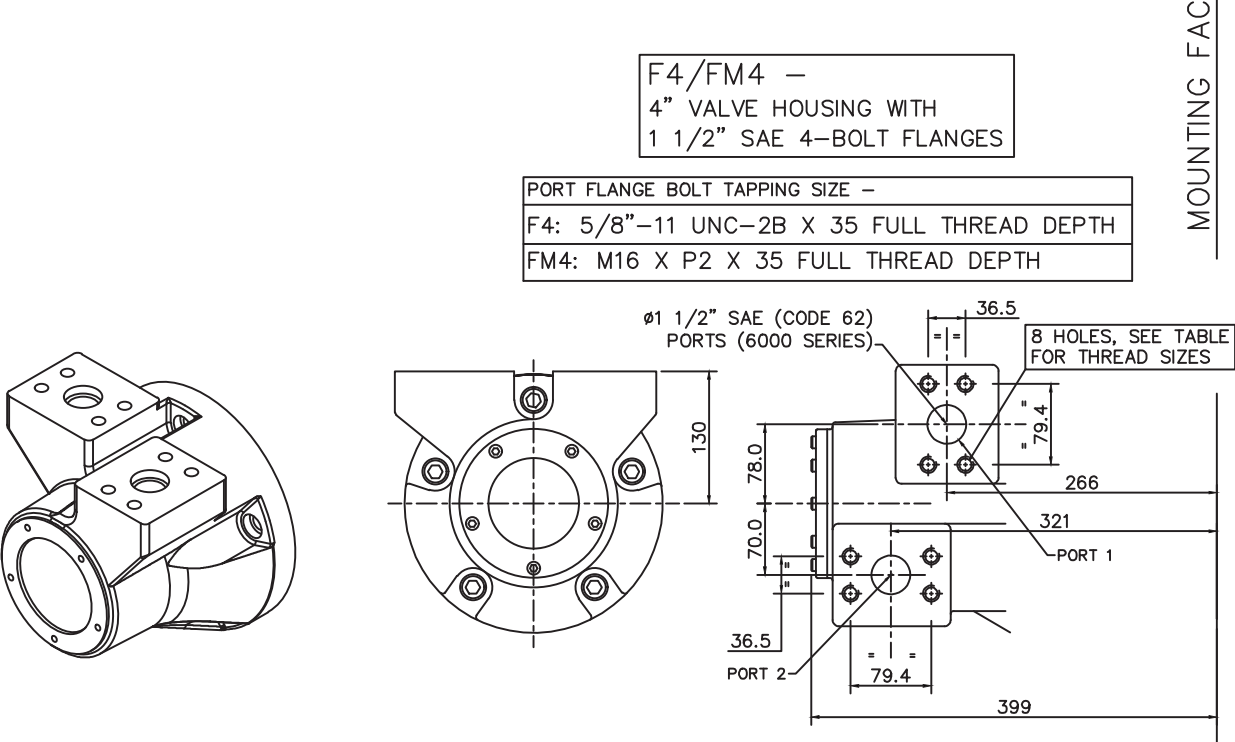


3-5 HMB100 (cont)

'F3' & 'FM3' Valve Housings



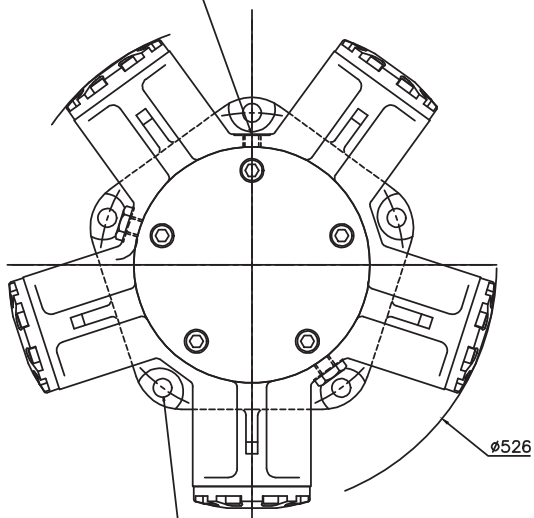
'F4' & 'FM4' Valve Housings



3-5 HMB100 (cont)

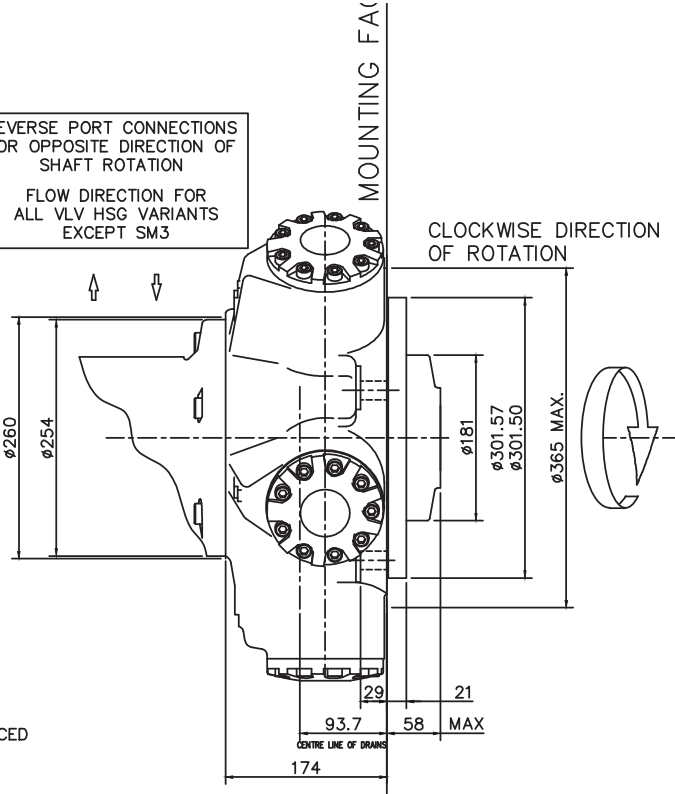
Installation

3/4"-16UNF-2B DRAIN (CHOICE OF 3 POSITIONS)
(2 NORMALLY PLUGGED)
NOTE: - ENSURE ON INSTALLATION THAT DRAIN IS
TAKEN FROM ABOVE MOTOR CENTRELINE.
DO NOT EXCEED 12 DEPTH OF COUPLING
IN TO DRAIN PORT



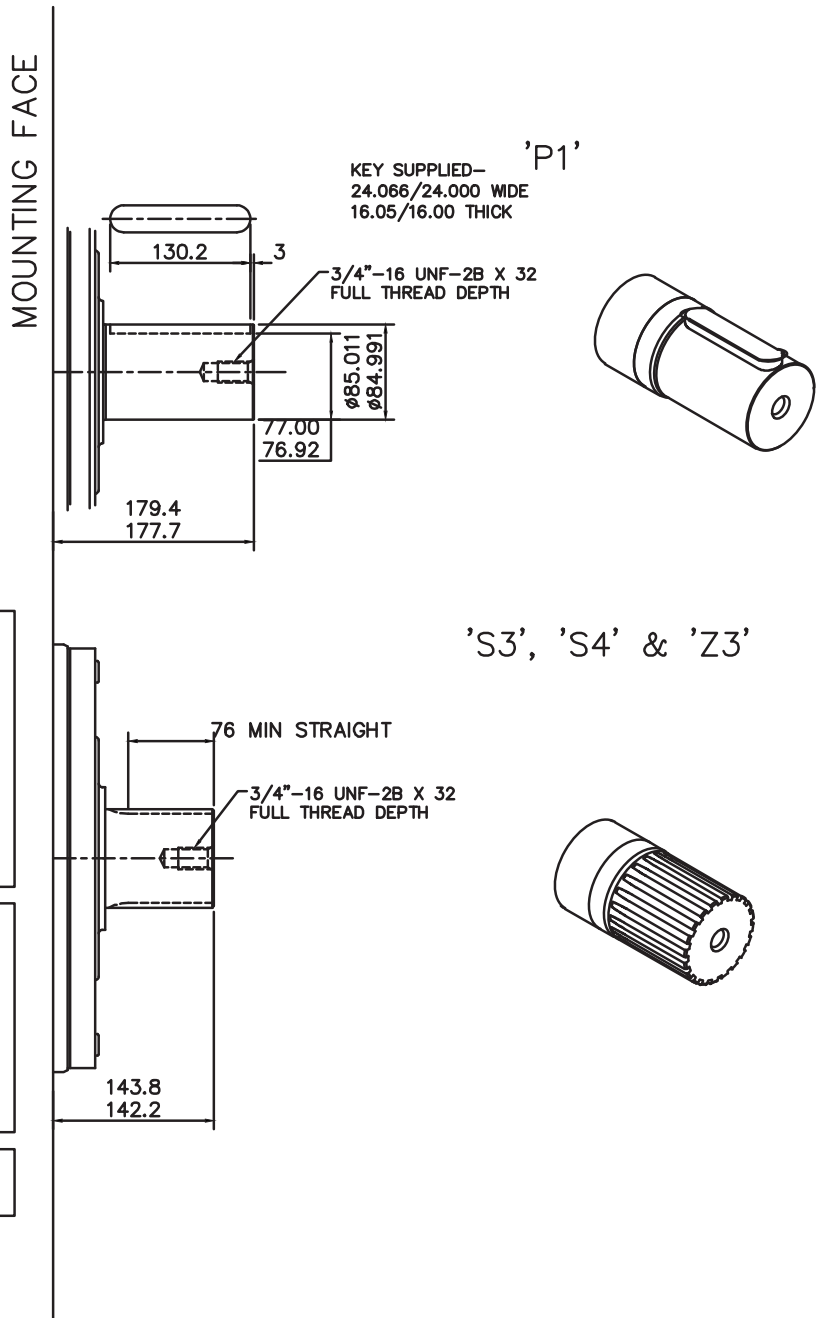
5 HOLES $\phi 20$ EQUI-SPACED AS
SHOWN ON A 327.03 P.C.D. SPOTFACED
TO GIVE AN EFFECTIVE $\phi 40$.
 $\phi 0.15$

REVERSE PORT CONNECTIONS
FOR OPPOSITE DIRECTION OF
SHAFT ROTATION
FLOW DIRECTION FOR
ALL VLV HSG VARIANTS
EXCEPT SM3



3-6 HM(HD)B125

◆ HMB125 - 'P1', 'S3', 'S4' & 'Z3' Shafts



SPLINE DATA

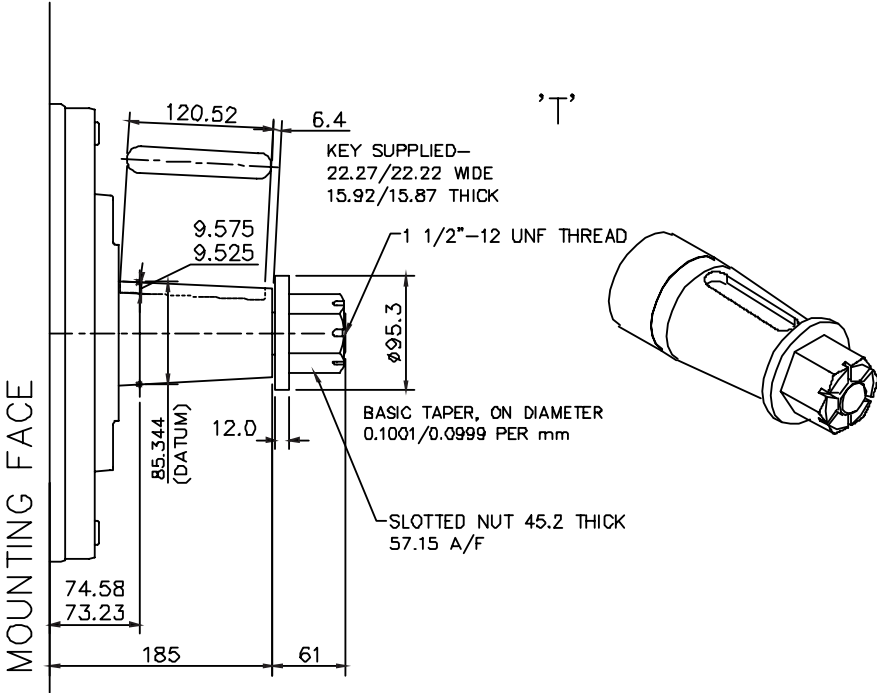
'S3'	
TO BS 3550 (ANSI B92.1, CLASS 5)	
FLAT ROOT SIDE FIT, CLASS 1	
PRESSURE ANGLE	30°
NUMBER OF TEETH	20
PITCH	6/12
MAJOR DIAMETER	87.953/87.825
FORM DIAMETER	80.264
MINOR DIAMETER	79.485/78.925
PIN DIAMETER	8.128
DIAMETER OVER PINS	97.084/97.030

'S4'	
PRESSURE ANGLE	20°
NUMBER OF TEETH	16
PITCH	5/10
MAJOR DIAMETER	86.360/86.233
FORM DIAMETER	76.124
MINOR DIAMETER	74.93/72.39
PIN DIAMETER	8.636
DIAMETER OVER PINS	92.710/92.581

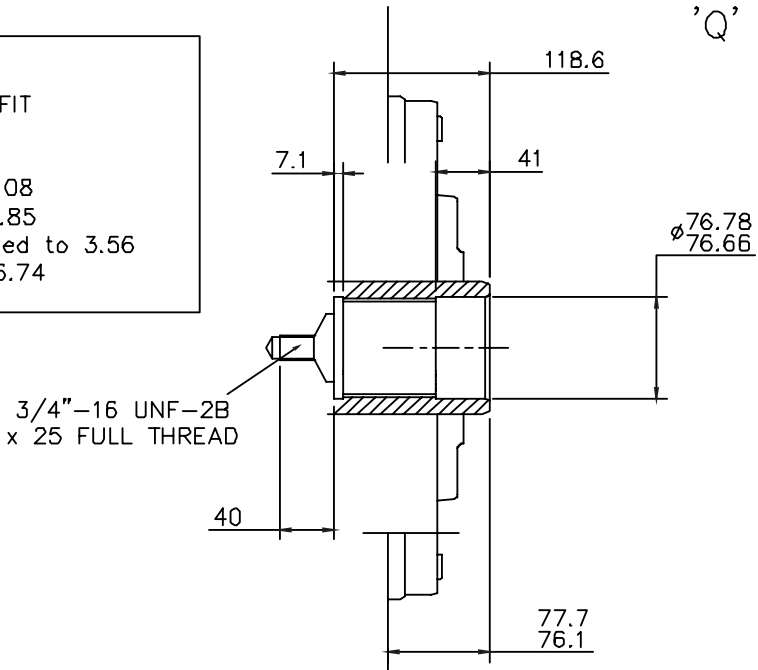
'Z3'	
DIN 5480 W85 x 3 x 27 x 7h	

3-6 HM(HD)B125 (cont)

HMB125 - 'T' & 'Q' Shafts

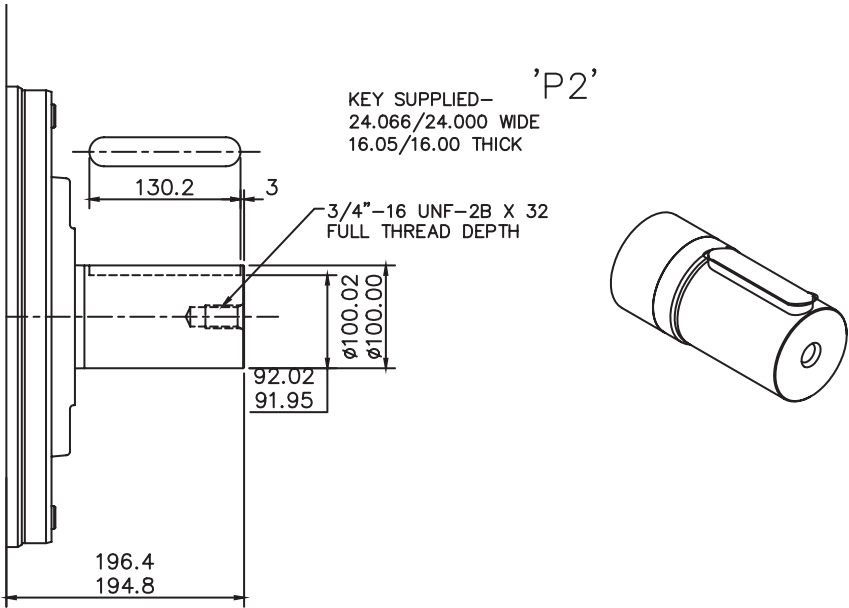


SPLINE DATA	
BS3550 : FLAT ROOT SIDE FIT	
NUMBER OF TEETH	34
PITCH	12/24
MAJOR DIAMETER	74.41/74.08
MINOR DIAMETER	69.98/69.85
PIN DIAMETER	3.66 flatted to 3.56
DIMENSION BETWEEN PINS	66.81/66.74



3-6 HM(HD)B125 (cont)

HMHDB125 - 'P2' Shafts



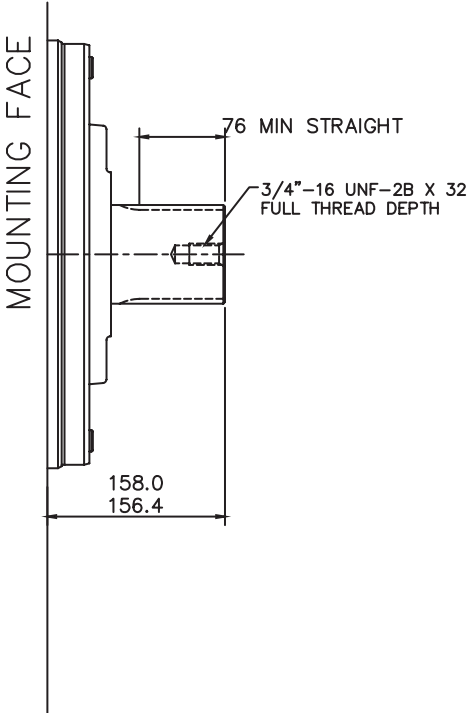
3-6 HM(HD)B125 (cont)

HMHDB125 - 'S5' & 'Z5' Shafts

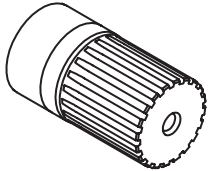
SPLINE DATA

'S5'	
PRESSURE ANGLE	20°
NUMBER OF TEETH	23
PITCH	6/12
MAJOR DIAMETER	100.652/100.526
FORM DIAMETER	92.939
MINOR DIAMETER	92.184/91.626
PIN DIAMETER	8.128
DIAMETER OVER PINS	109.573/109.517

'Z5'	
DIN 5480 W100 x 4 x 24 x 7h	

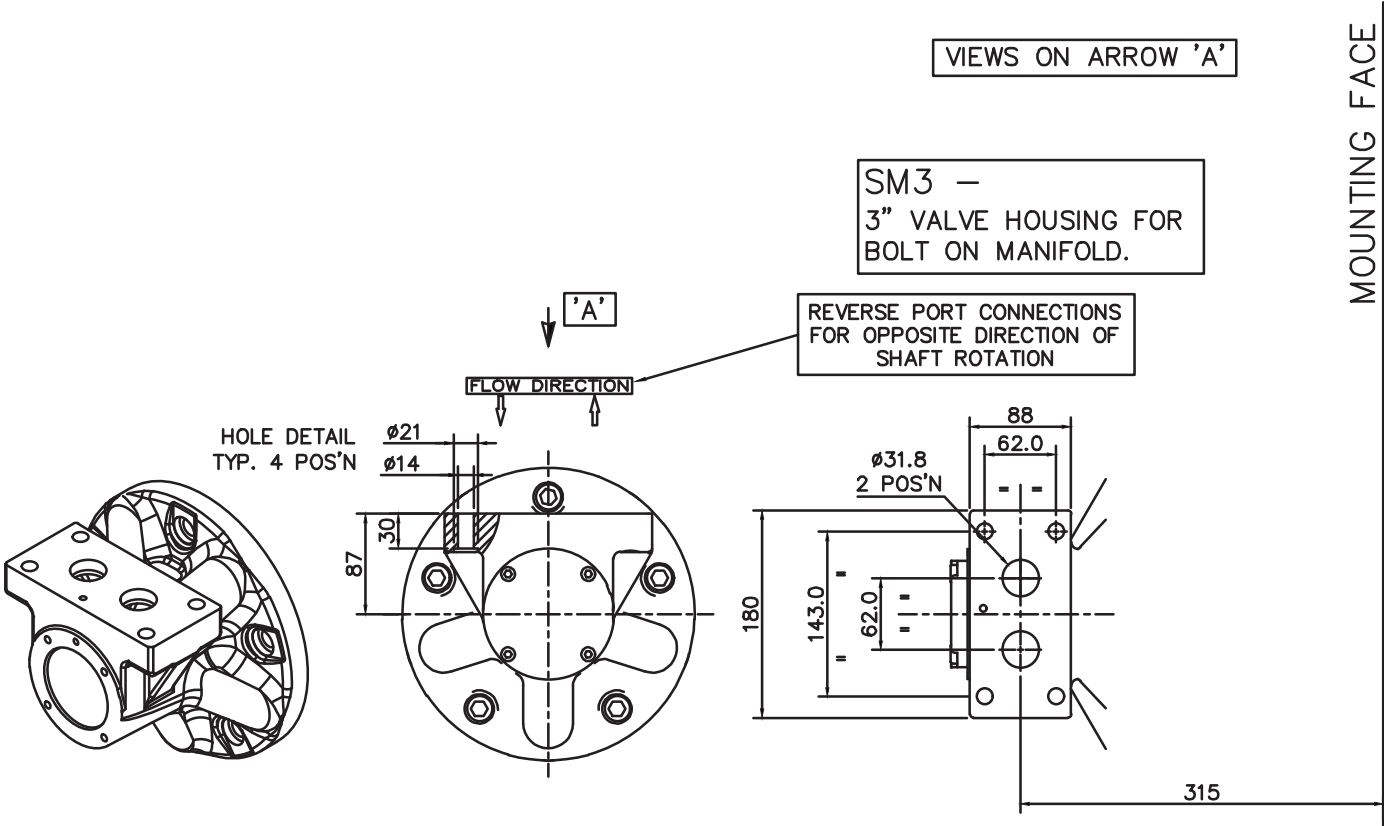


'S5' & 'Z5'



3-6 HM(HD)B125 (cont)

'SM3' Valve Housing

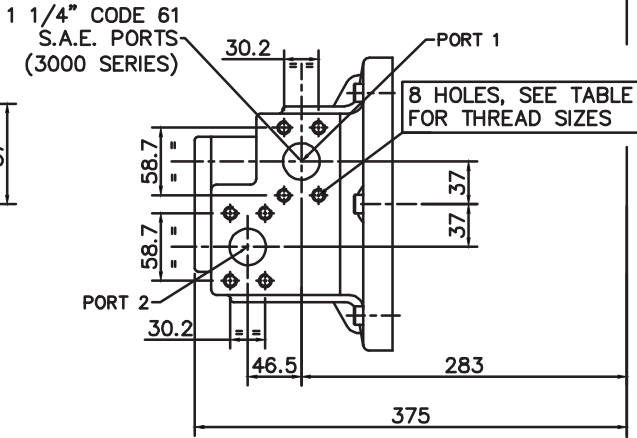
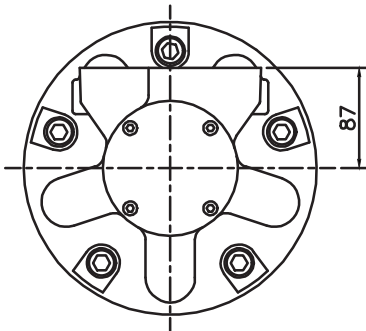
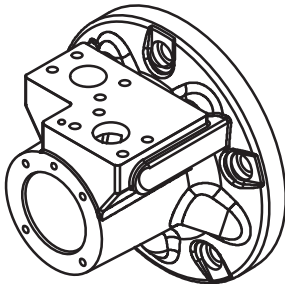


3-6 HM(HD)B125 (cont)

'F3' & 'FM3' Valve Housings

F3/FM3 –
3" VALVE HOUSING WITH
1 1/4" SAE 4-BOLT FLANGES

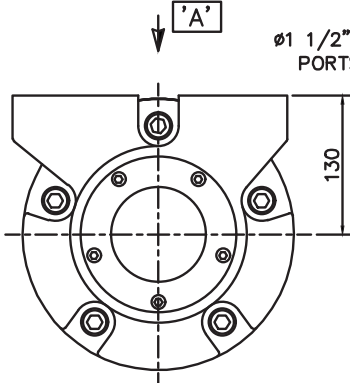
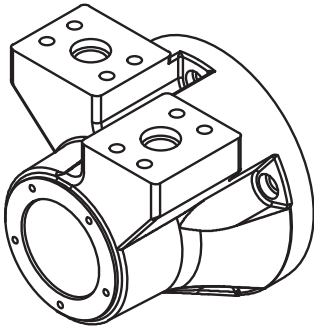
PORT FLANGE BOLT TAPPING SIZE –
F3: 7/16"–14 UNC–2B X 27 FULL THREAD DEPTH
FM3: M12 X P1.75 X 27 FULL THREAD DEPTH



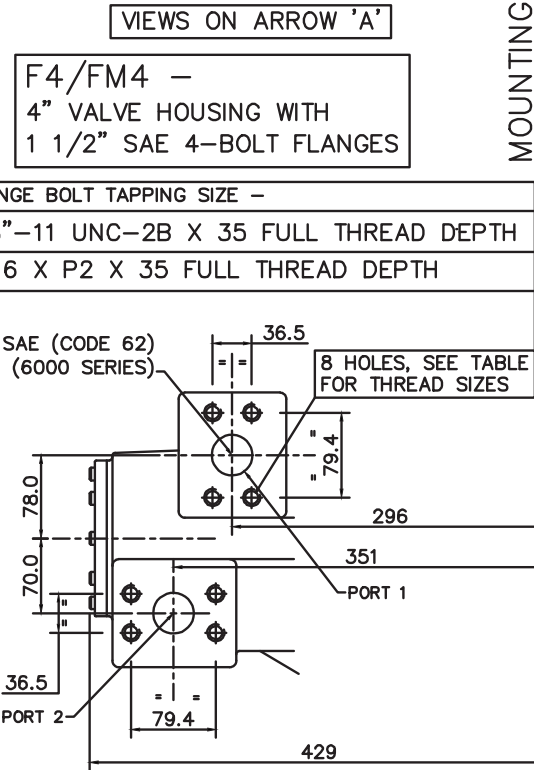
MOUNTING FACE

3-6 HM(HD)B125 (cont)

'F4' & 'FM4' Valve Housings



ø1 1/2" SAE (CODE 62)
PORTS (6000 SERIES)

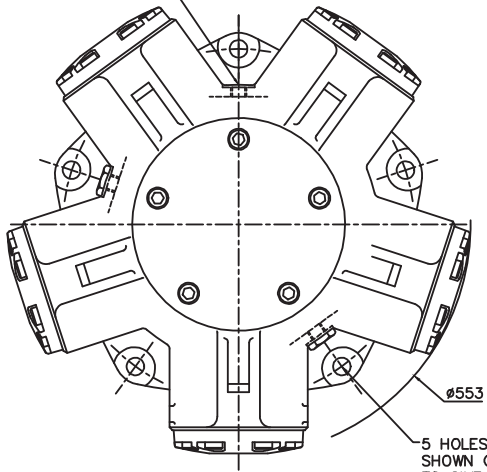


MOUNTING FACE

3-6 HM(HD)B125 (cont)

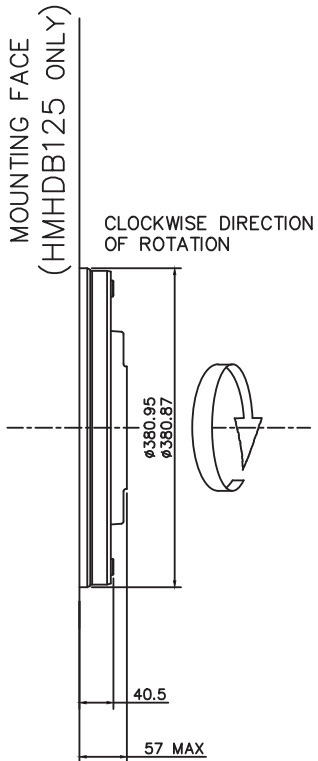
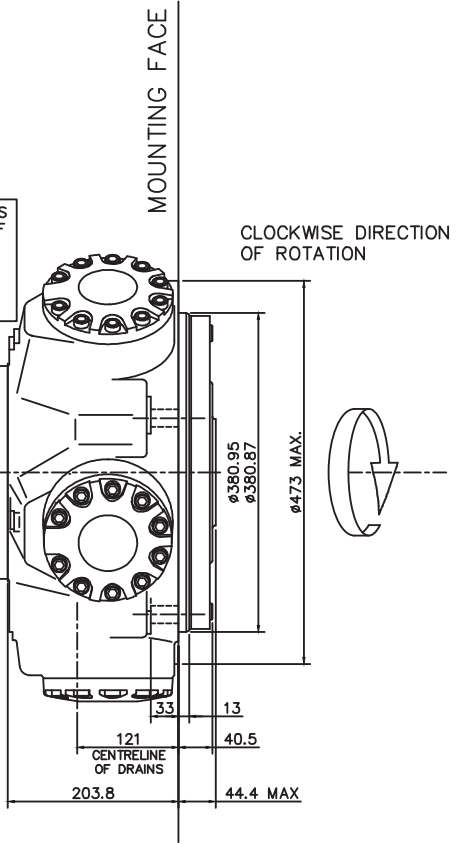
Installation

3/4"-16 UNF-2B DRAIN (CHOICE OF 3 POSITIONS)
(2 NORMALLY PLUGGED)
NOTE - ENSURE ON INSTALLATION THAT DRAIN IS TAKEN FROM ABOVE MOTOR CENTRELINE.
DO NOT EXCEED 12 DEPTH OF COUPLING IN TO DRAIN PORT.



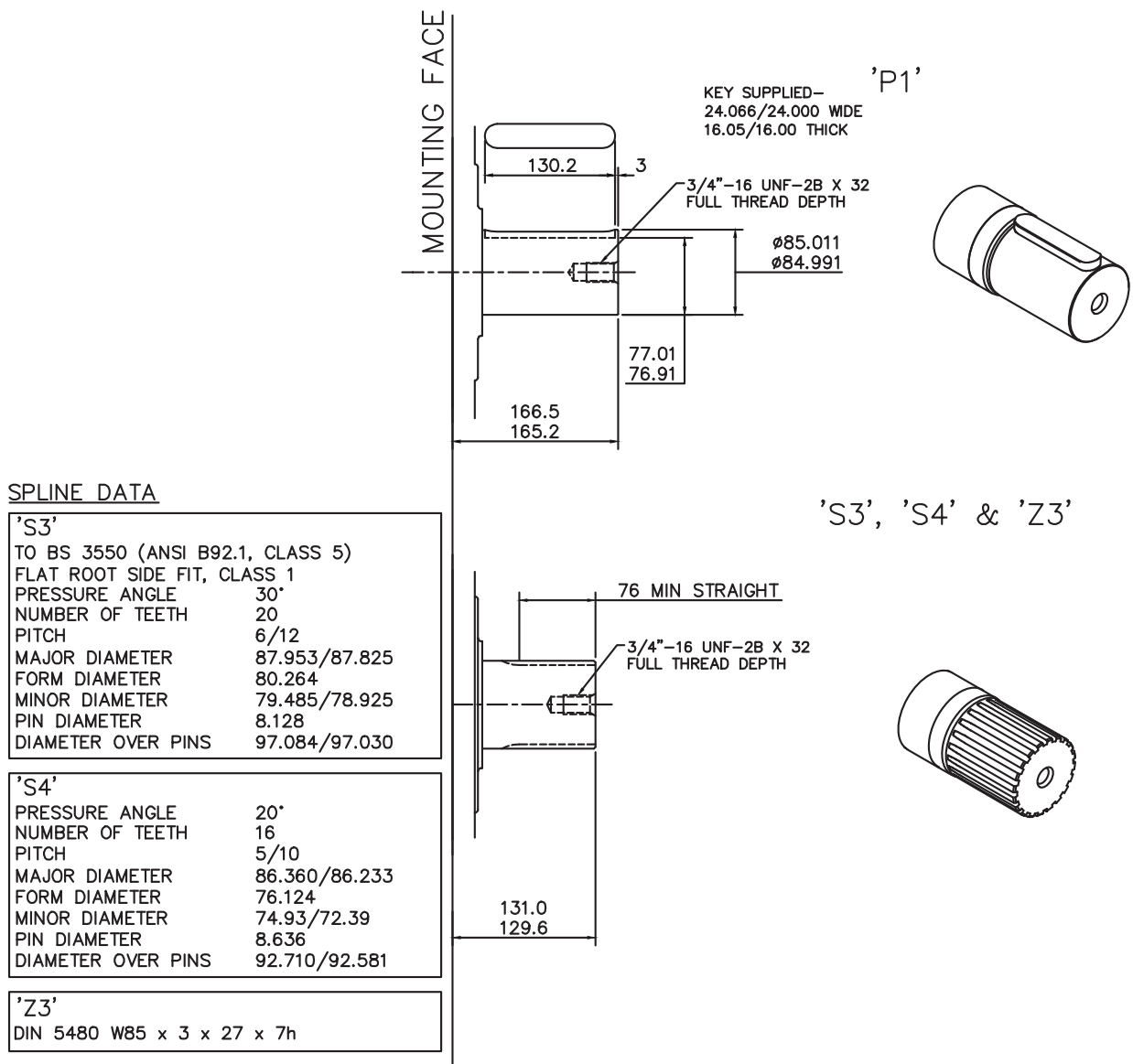
5 HOLES $\phi 21$ EQUI-SPACED AS SHOWN ON A 419.1 PCD. SPOTFACED TO GIVE AN EFFECTIVE $\phi 40$
 $\phi 0.15$

REVERSE PORT CONNECTIONS FOR OPPOSITE DIRECTION OF SHAFT ROTATION
FLOW DIRECTION FOR ALL VLV HSG VARIANTS EXCEPT SM3



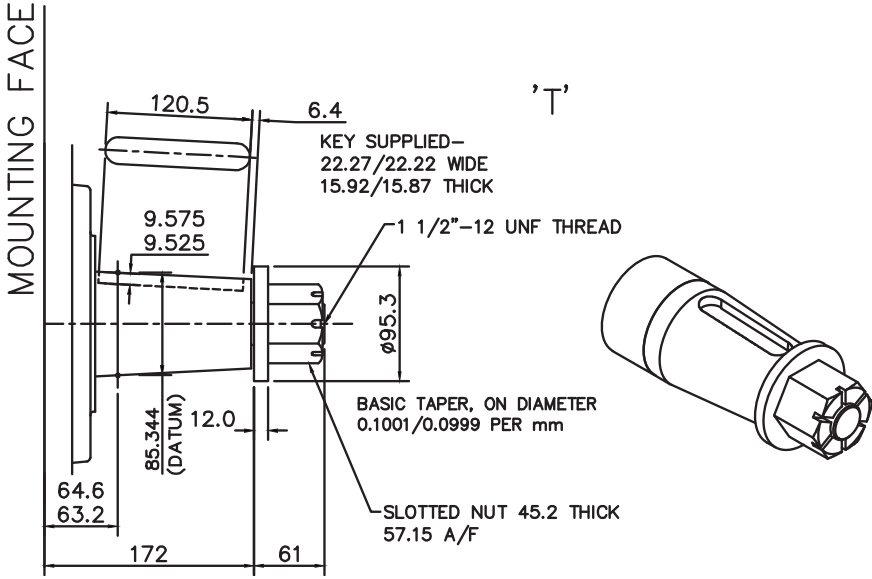
3-7 HM(HD)B150/200

◆ HMB150/200 - 'P1', 'S3', 'S4' & 'Z3' Shafts



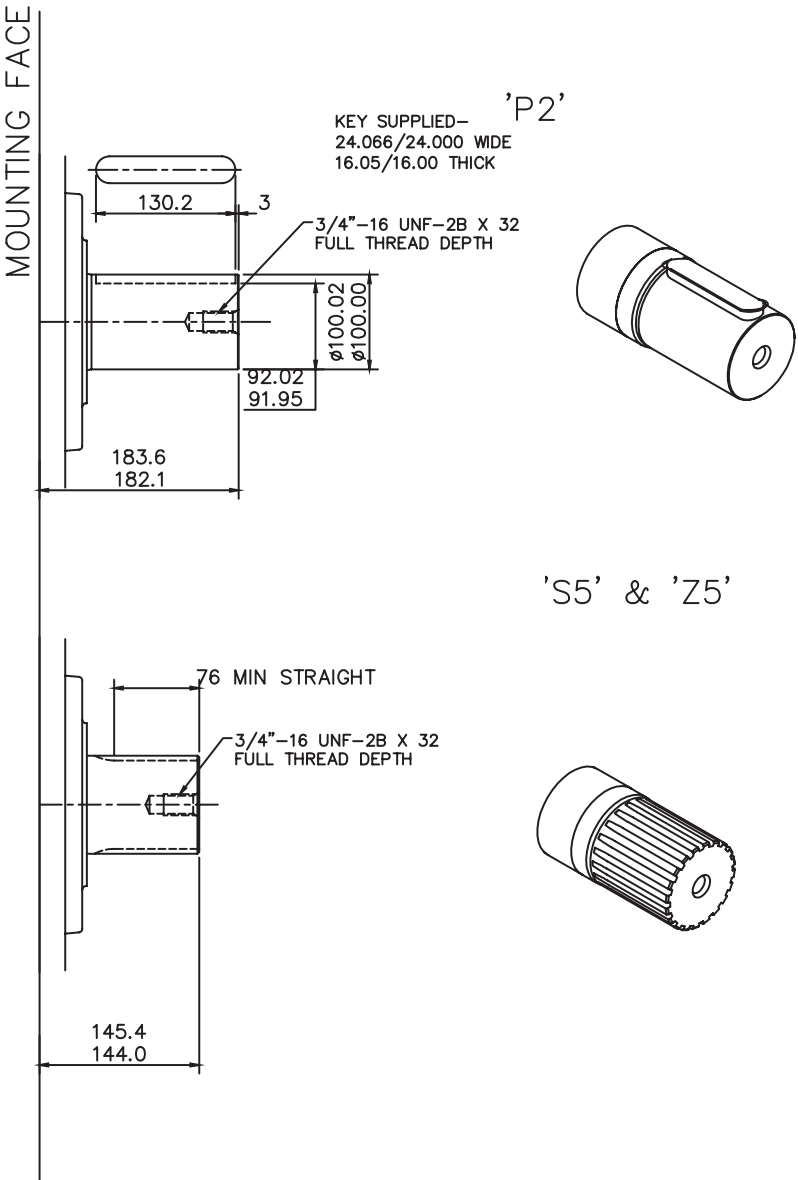
3-7 HM(HD)B150/200 (cont)

◆ HMB150/200 - 'T' Shaft



3-7 HM(HD)B150/200 (cont)

HMHDB150/200 - 'P2', 'S5' & 'Z5' Shafts



SPLINE DATA

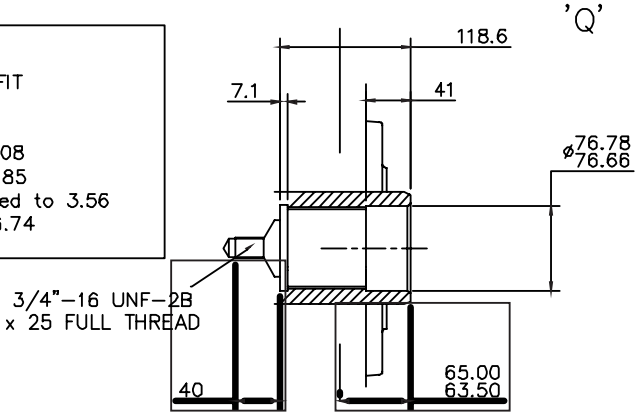
'S5'	
PRESSURE ANGLE	30°
NUMBER OF TEETH	23
PITCH	6/12
MAJOR DIAMETER	100.652/100.526
FORM DIAMETER	92.939
MINOR DIAMETER	92.184/91.626
PIN DIAMETER	8.128
DIAMETER OVER PINS	109.573/109.517

'Z5'	
DIN 5480 W100 x 4 x 24 x 7h	

3-7 HM(HD)B150/200 (cont)

HMHDB150/200 - 'Q' Shafts

SPLINE DATA	
BS3550 : FLAT ROOT SIDE FIT	
NUMBER OF TEETH	34
PITCH	12/24
MAJOR DIAMETER	74.41/74.08
MINOR DIAMETER	69.98/69.85
PIN DIAMETER	3.66 flattened to 3.56
DIMENSION BETWEEN PINS	66.81/66.74

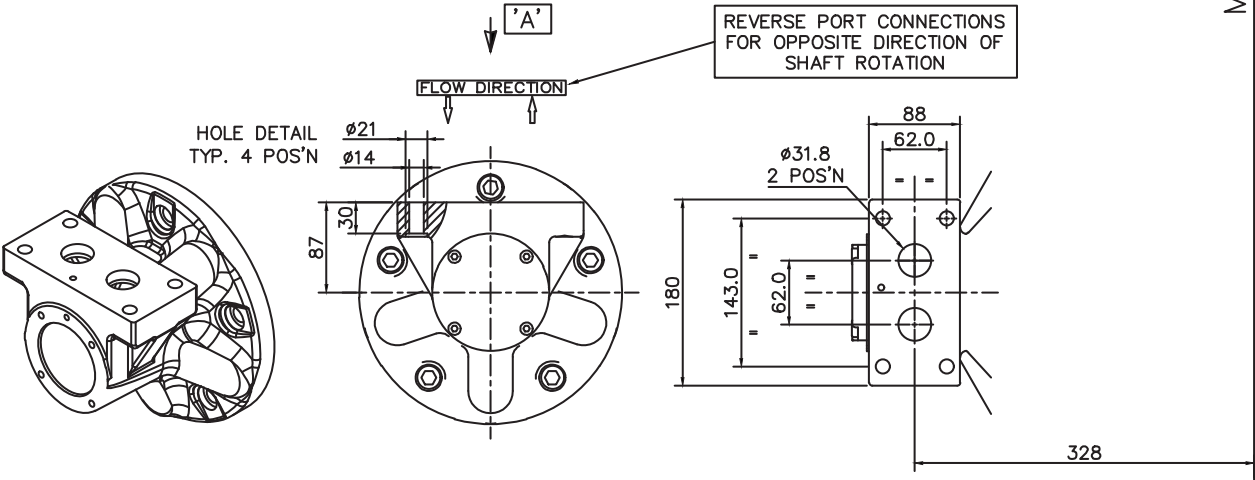


'SM3' Valve Housing

IEWS ON ARROW 'A'

SM3 -
3" VALVE HOUSING FOR
BOLT ON MANIFOLD.

REVERSE PORT CONNECTIONS
FOR OPPOSITE DIRECTION OF
SHAFT ROTATION



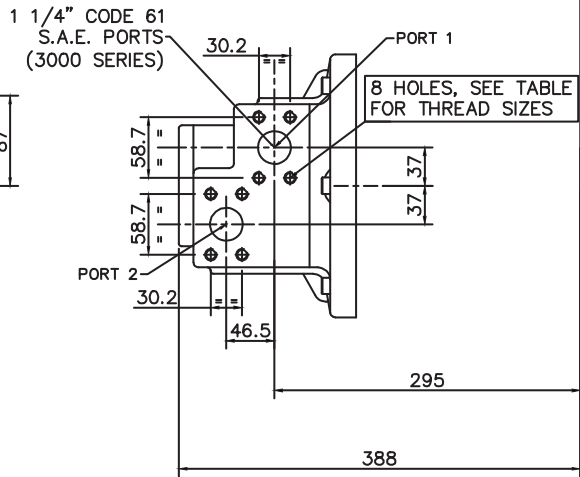
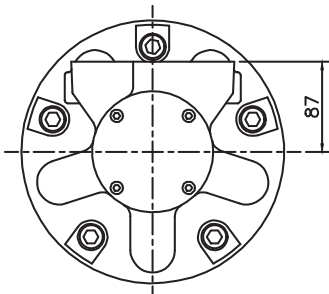
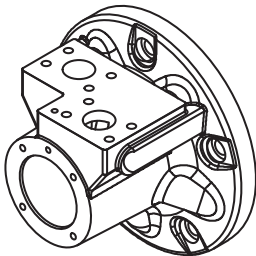
MOUNTING FACE

3-7 HM(HD)B150/200 (cont)

'F3' & 'FM3' Valve Housings

F3/FM3 -
3" VALVE HOUSING WITH
1 1/4" SAE 4-BOLT FLANGES

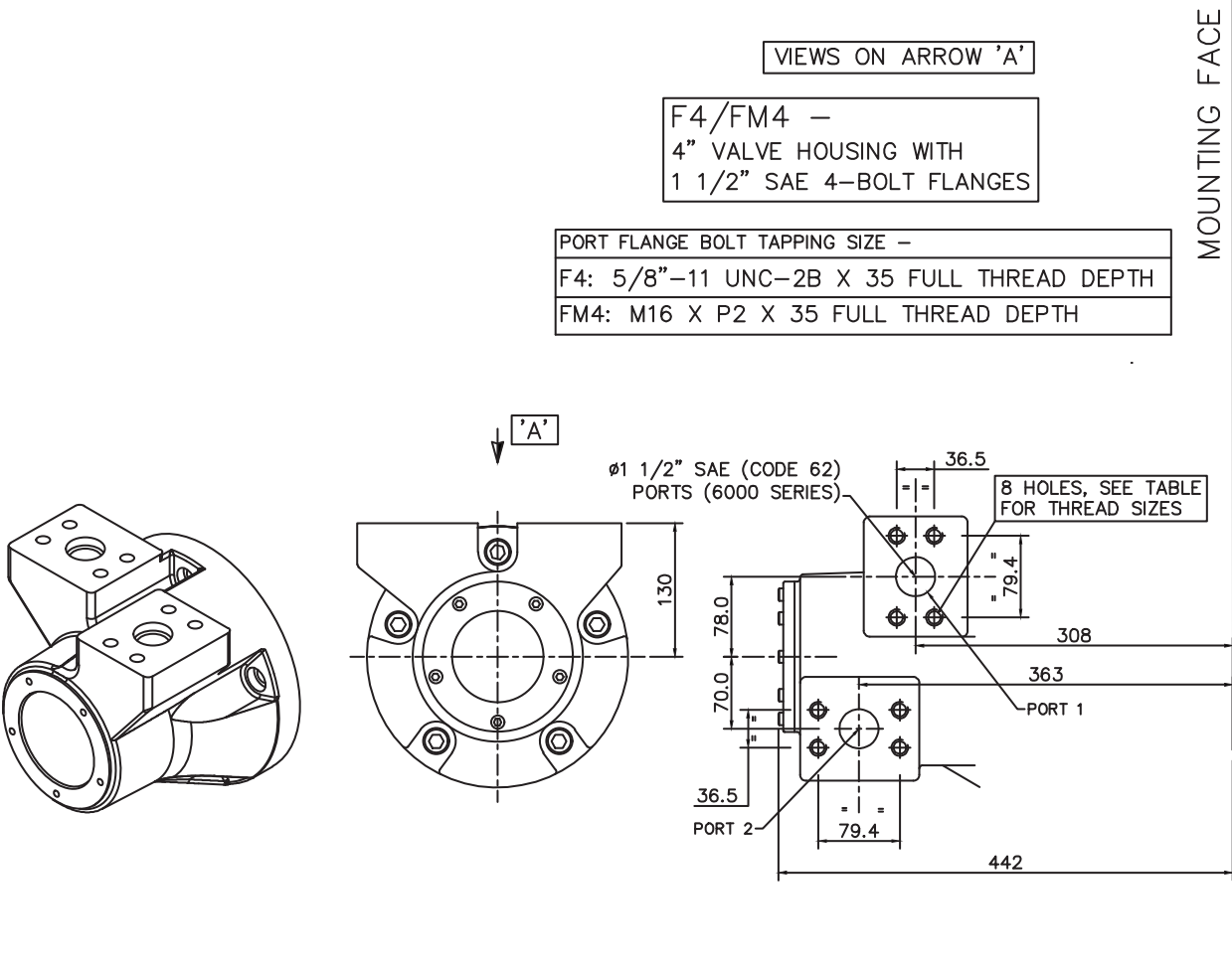
PORT FLANGE BOLT TAPPING SIZE -
F3: 7/16"-14 UNC-2B X 27 FULL THREAD DEPTH
FM3: M12 X P1.75 X 27 FULL THREAD DEPTH



MOUNTING FACE

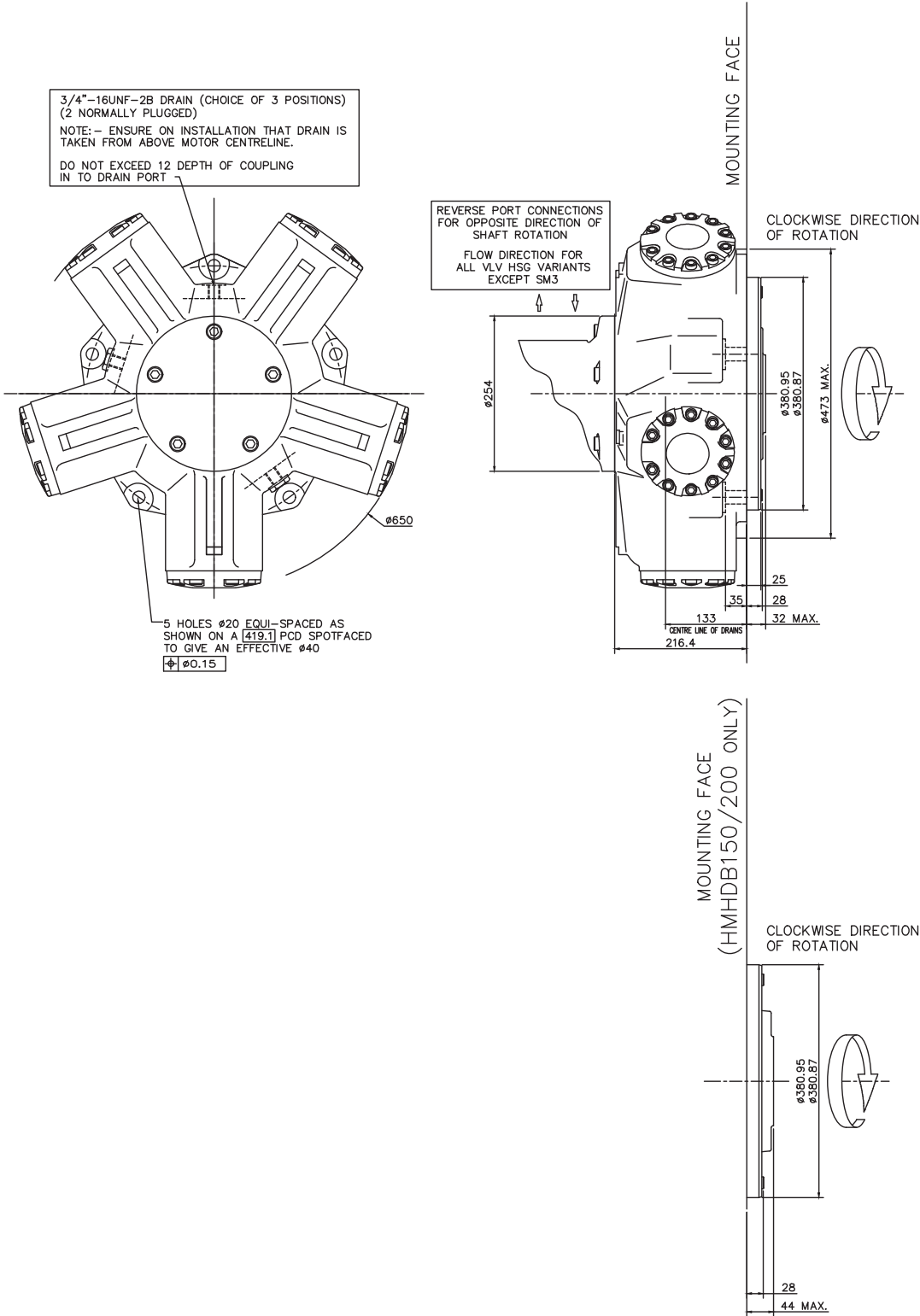
3-7 HM(HD)B150/200 (cont)

'F4' & 'FM4' Valve Housings



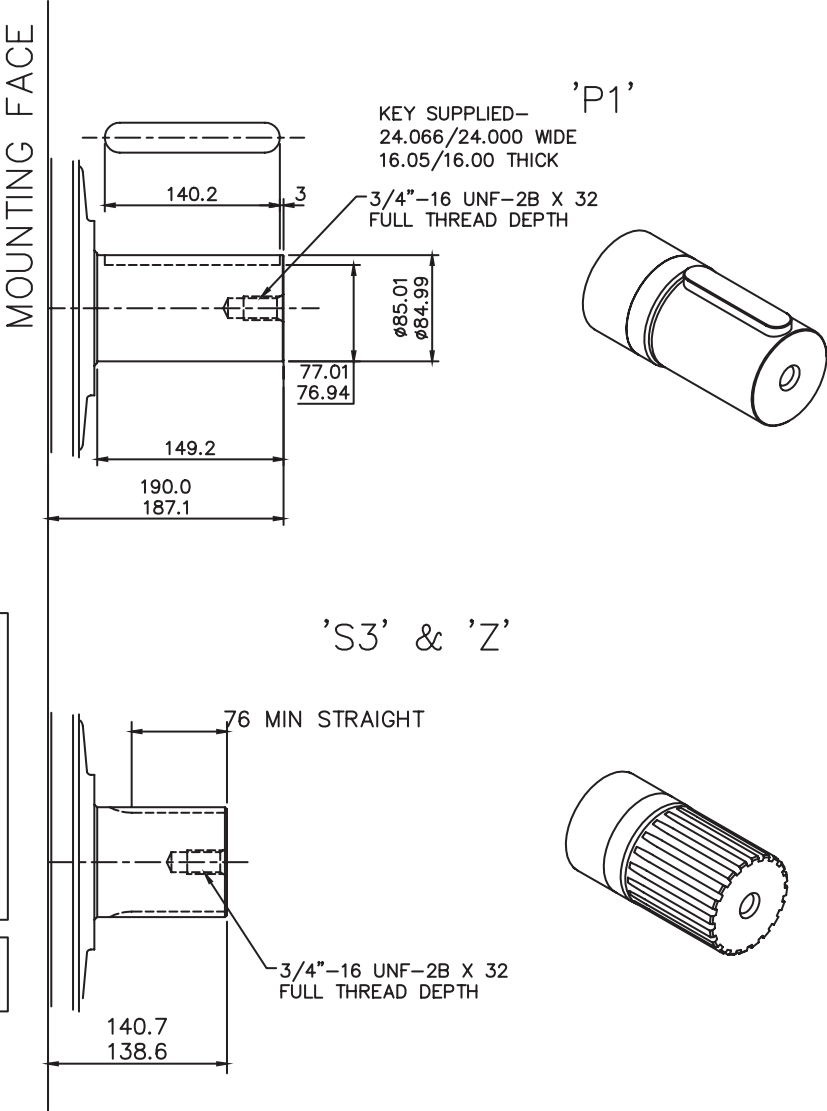
3-7 HM(HD)B150/200 (cont)

Installation



3-8 HM(HD)B270

◆ HMB270 - 'P1', 'S3' & 'Z' Shafts



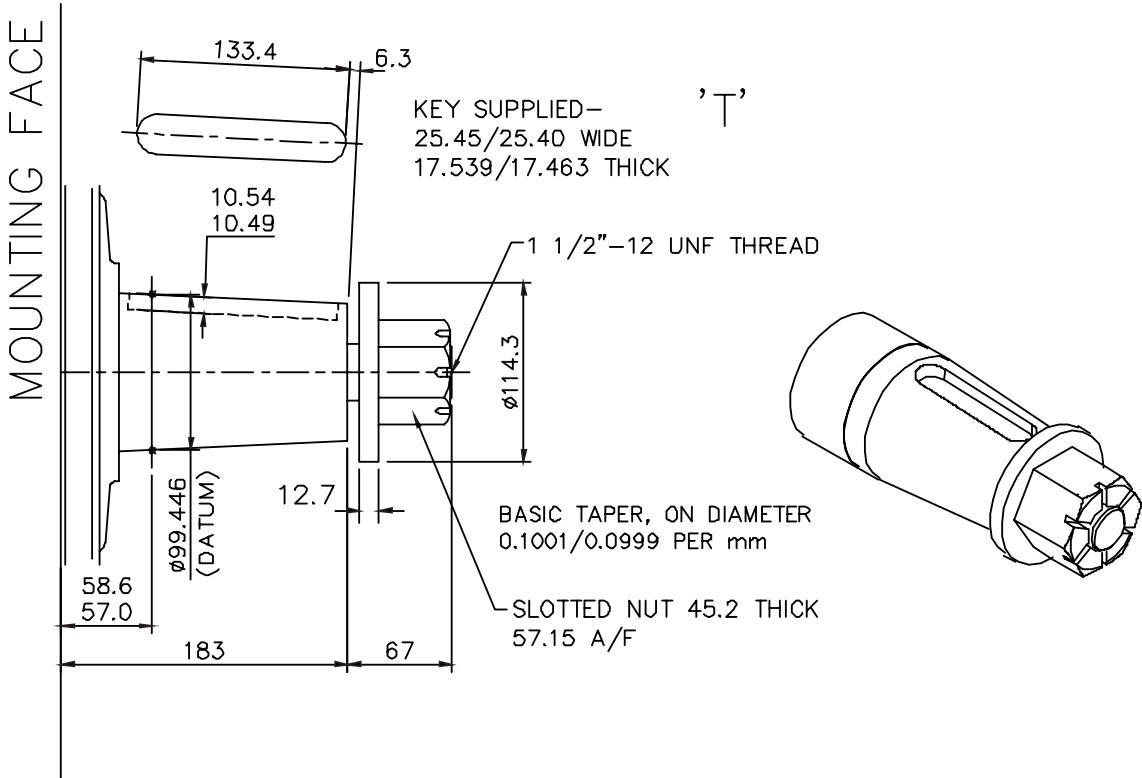
SPLINE DATA

'S3'	
TO BS 3550 (ANSI B92.1, CLASS 5)	
FLAT ROOT SIDE FIT, CLASS 1	
PRESSURE ANGLE	30°
NUMBER OF TEETH	20
PITCH	6/12
MAJOR DIAMETER	87.953/87.825
FORM DIAMETER	80.264
MINOR DIAMETER	79.485/78.925
PIN DIAMETER	8.128
DIAMETER OVER PINS	97.084/97.030

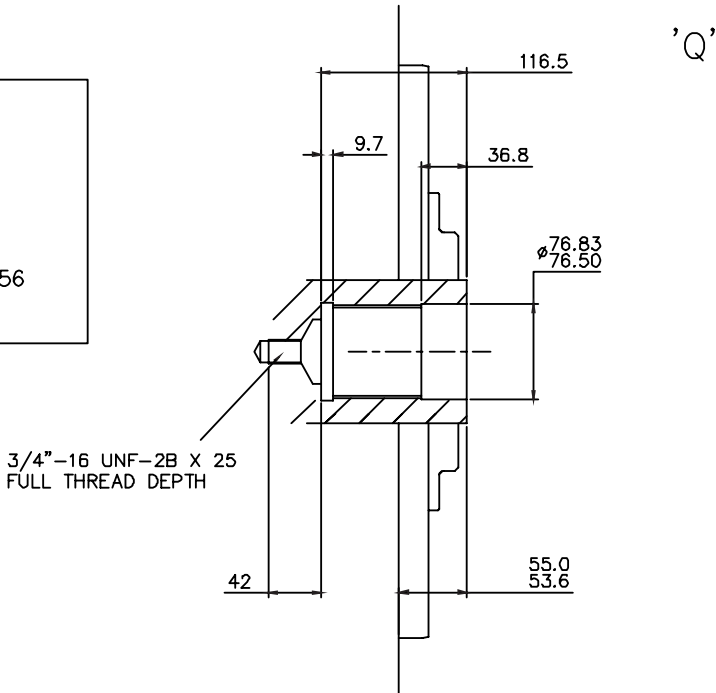
'Z'	
DIN 5480 W100 x 4 x 24 x 7h	

3-8 HM(HD)B270 (cont)

HMB270 - 'T' & 'Q' Shaft

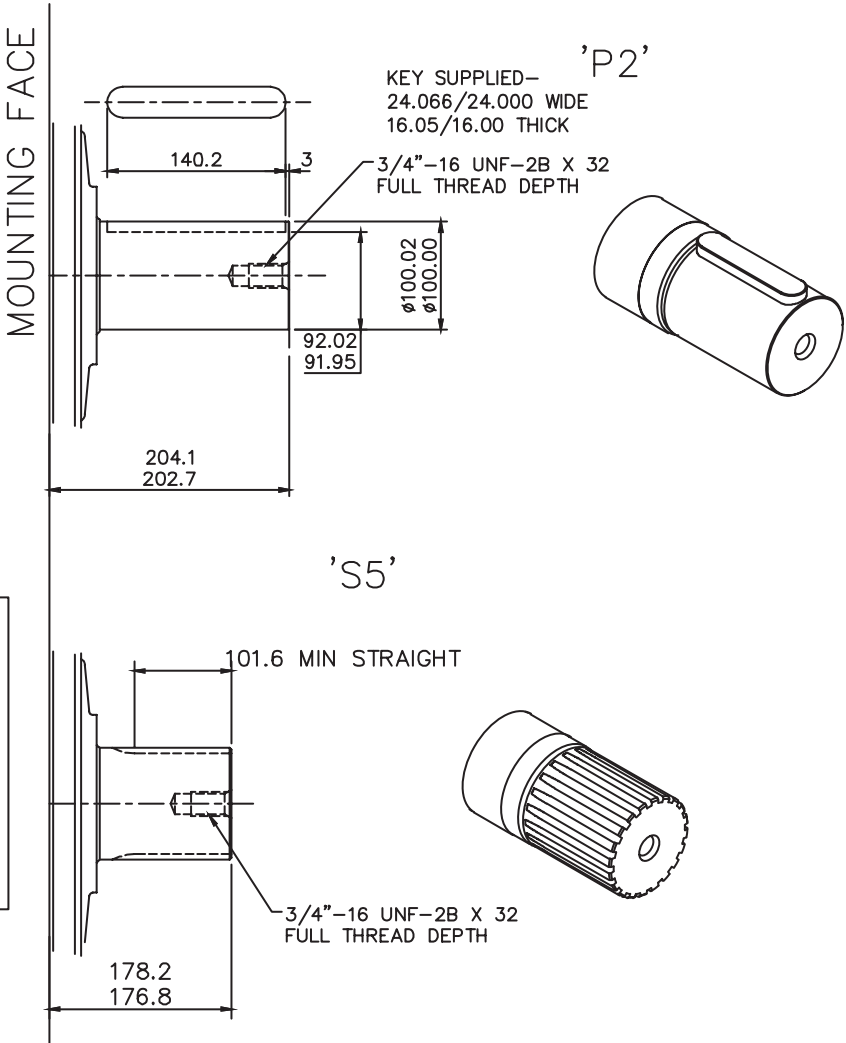


SPLINE DATA	
BS3550 : FLAT ROOT SIDE FIT	
NUMBER OF TEETH	34
PITCH	12/24
MAJOR DIAMETER	74.41/74.08
MINOR DIAMETER	69.98/69.85
PIN DIAMETER	3.66 flatted to 3.56
DIMENSION BETWEEN PINS	66.81/66.74



3-8 HM(HD)B270 (cont)

HMHDB270 - 'P2' & 'S5' Shafts

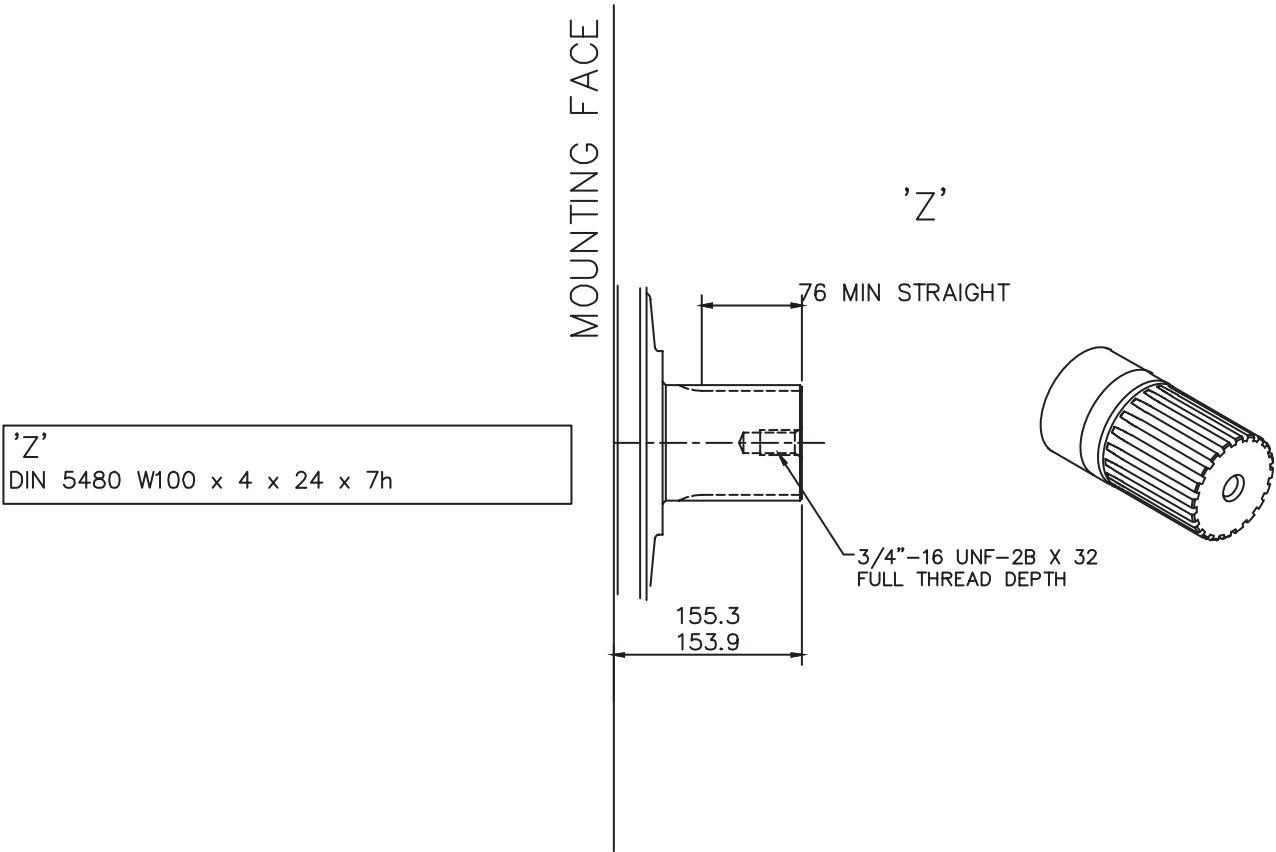


SPLINE DATA

'S3'	
TO BS 3550 (ANSI B92.1, CLASS 5)	
FLAT ROOT SIDE FIT, CLASS 1	
PRESSURE ANGLE	30°
NUMBER OF TEETH	23
PITCH	6/12
MAJOR DIAMETER	100.653/100.526
FORM DIAMETER	92.939
MINOR DIAMETER	92.184/91.625
PIN DIAMETER	8.128
DIAMETER OVER PINS	109.573/109.517

3-8 HM(HD)B270 (cont)

◆ HMHDB270 - 'Z' Shaft

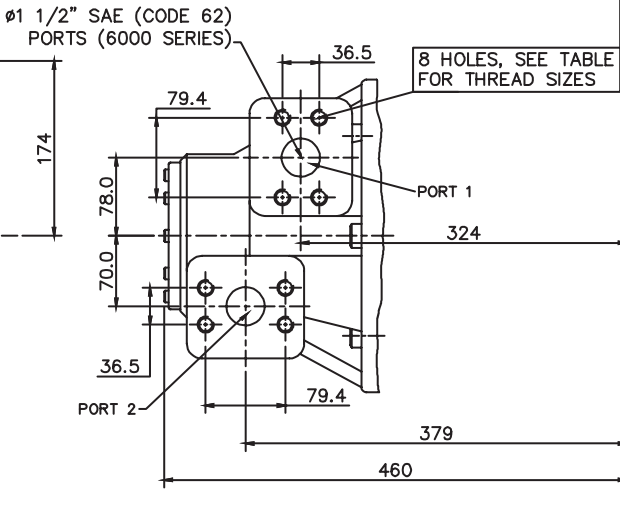
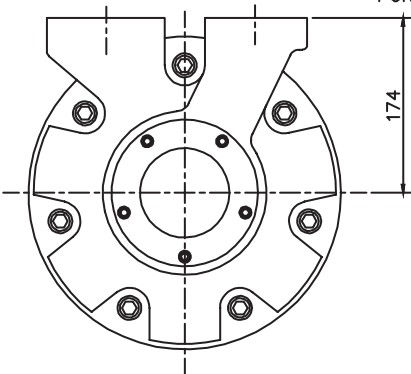
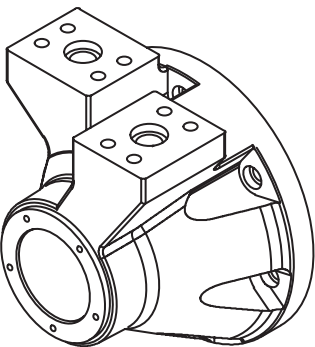


3-8 HM(HD)B270 (cont)

'F4' & 'FM4' Valve Housings

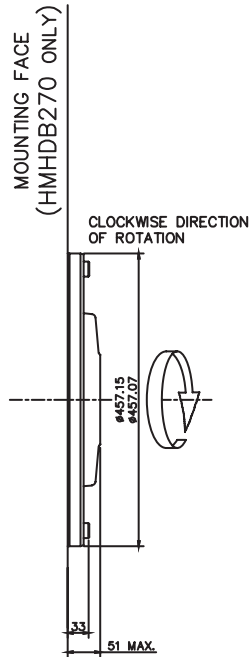
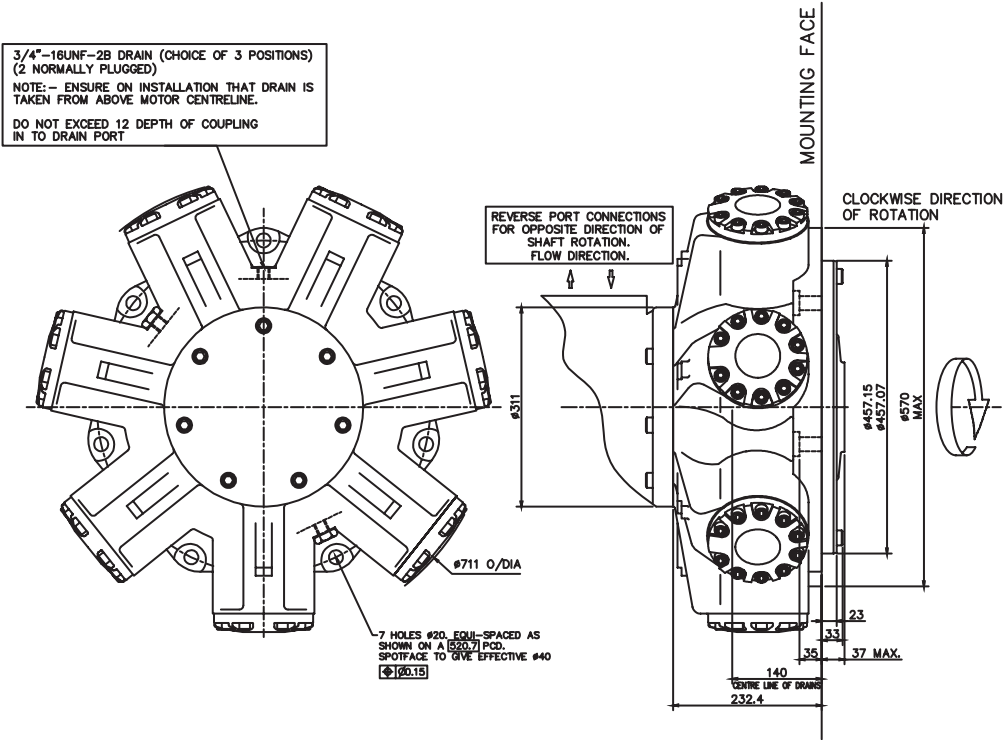
F4/FM4 –
4" VALVE HOUSING WITH
1 1/2" SAE 4-BOLT FLANGES

PORT FLANGE BOLT TAPPING SIZE –
F4: 5/8"–11 UNC–2B X 35 FULL THREAD DEPTH
FM4: M16 X P2 X 35 FULL THREAD DEPTH



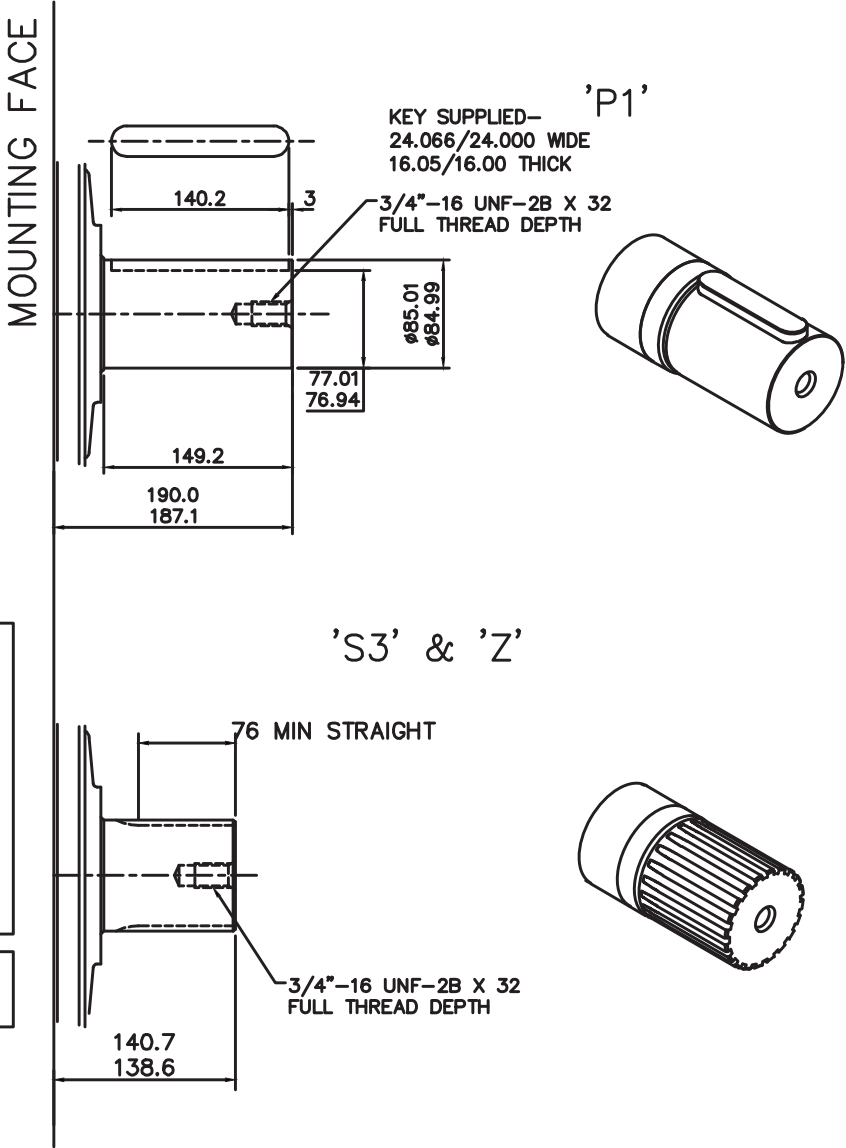
3-8 HM(HD)B270 (cont)

Installation



3-9 HM(HD)B325

◆ HMB325 - 'P1', 'S3' & 'Z' Shafts



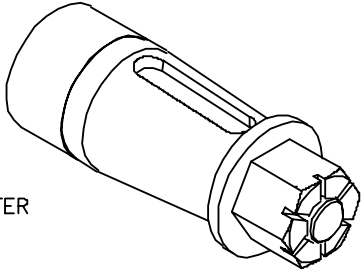
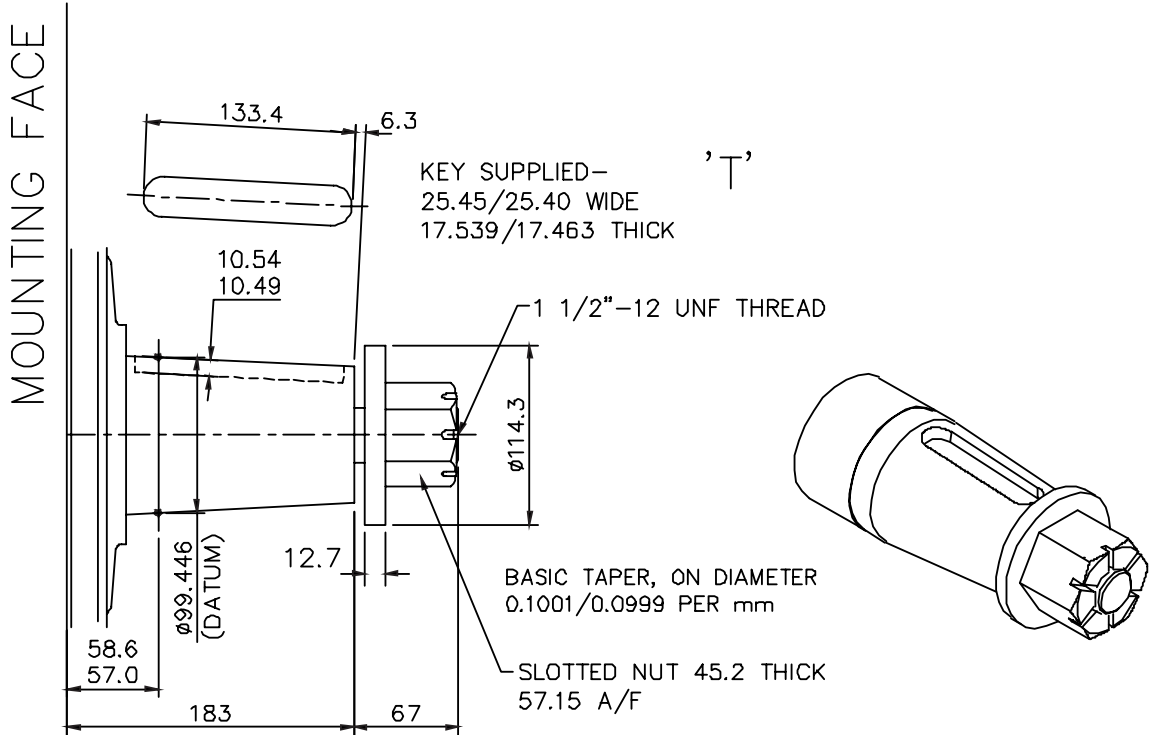
SPLINE DATA

'S3'	
TO BS 3550 (ANSI B92.1, CLASS 5)	
FLAT ROOT SIDE FIT, CLASS 1	
PRESSURE ANGLE	30°
NUMBER OF TEETH	20
PITCH	6/12
MAJOR DIAMETER	87.953/87.825
FORM DIAMETER	80.264
MINOR DIAMETER	79.485/78.925
PIN DIAMETER	8.128
DIAMETER OVER PINS	97.084/97.030

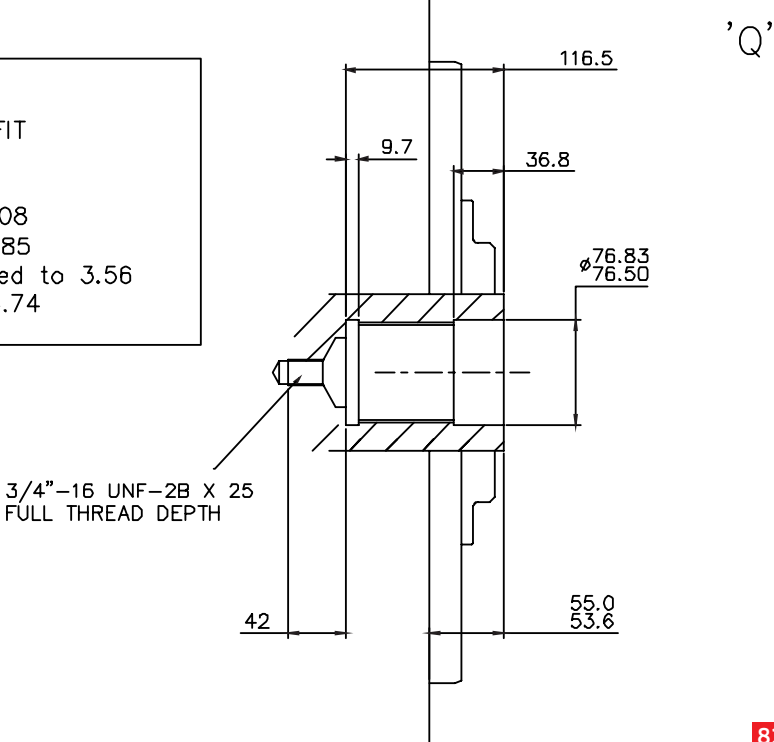
'Z'	
DIN 5480 W100 x 4 x 24 x 7h	

3-9 HM(HD)B325 (cont)

HMB325 - 'T' & 'Q' Shaft

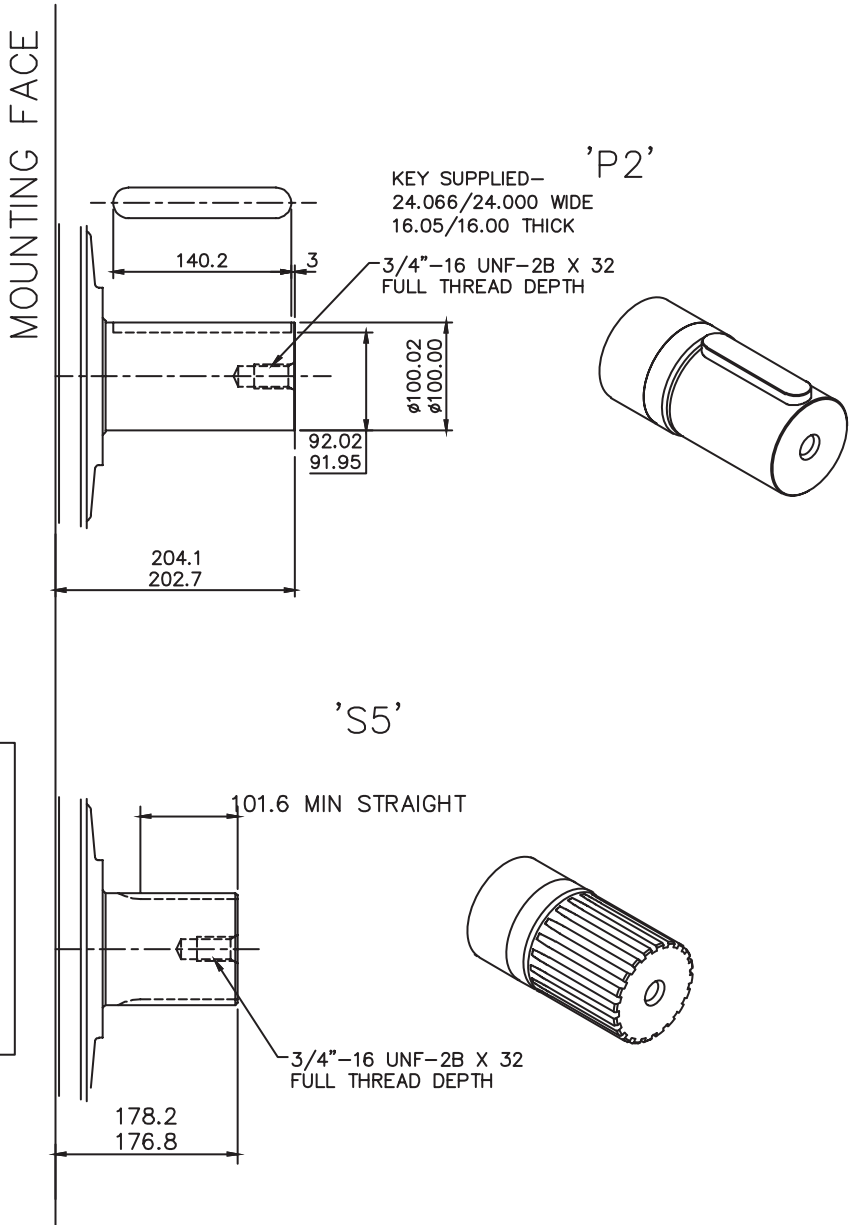


SPLINE DATA	
BS3550 : FLAT ROOT SIDE FIT	
NUMBER OF TEETH	34
PITCH	12/24
MAJOR DIAMETER	74.41/74.08
MINOR DIAMETER	69.98/69.85
PIN DIAMETER	3.66 flatted to 3.56
DIMENSION BETWEEN PINS	66.81/66.74



3-9 HM(HD)B325 (cont)

HMHDB325 - 'P2' & 'S5' Shafts

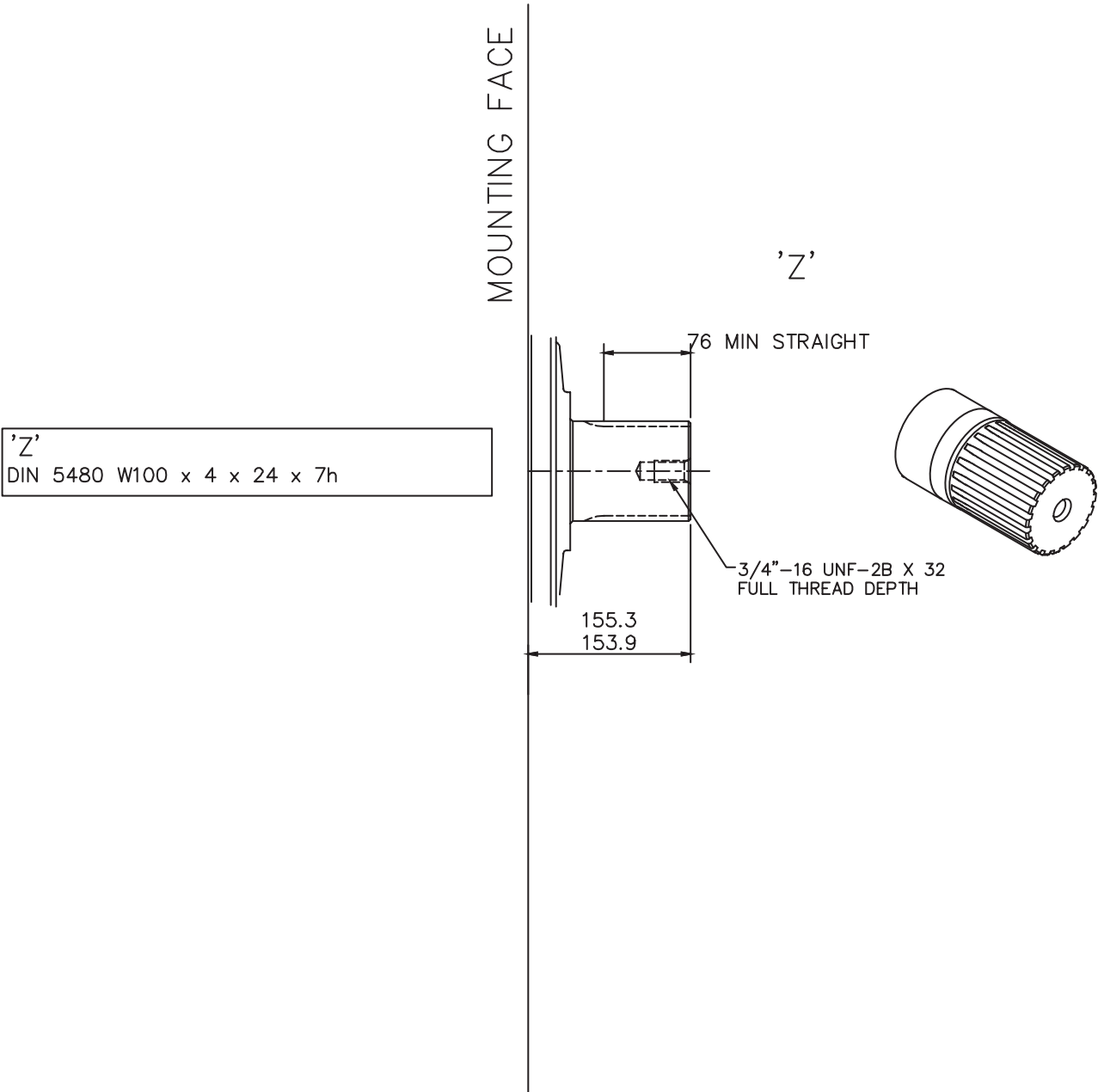


SPLINE DATA

'S3'	
TO BS 3550 (ANSI B92.1, CLASS 5)	
FLAT ROOT SIDE FIT, CLASS 1	
PRESSURE ANGLE	30°
NUMBER OF TEETH	23
PITCH	6/12
MAJOR DIAMETER	100.653/100.526
FORM DIAMETER	92.939
MINOR DIAMETER	92.184/91.625
PIN DIAMETER	8.128
DIAMETER OVER PINS	109.573/109.517

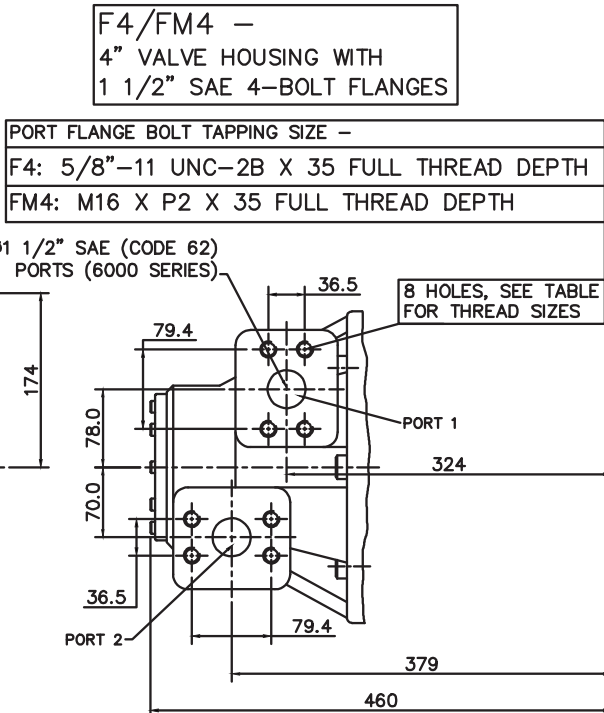
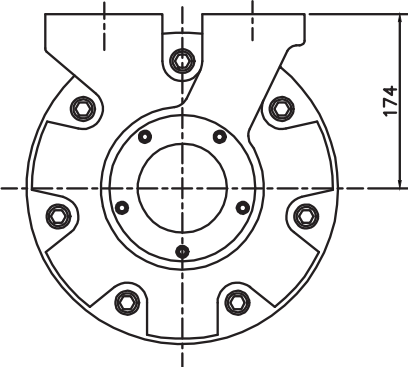
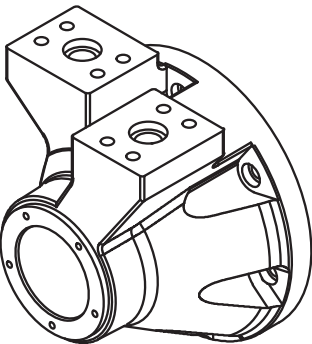
3-9 HM(HD)B325 (cont)

◆ HMB325 - 'Z' Shaft



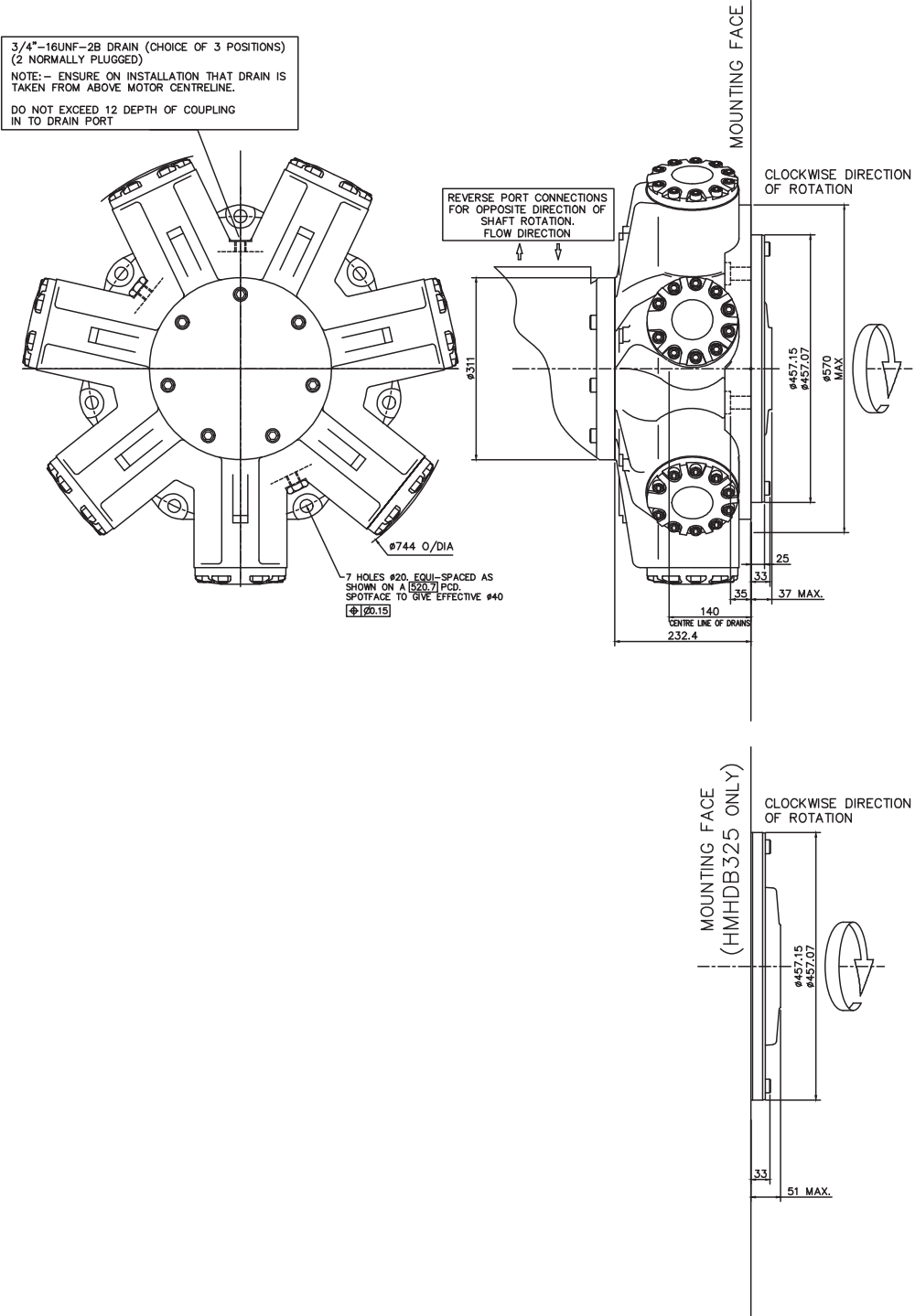
3-9 HM(HD)B325 (cont)

'F4' & 'FM4' Valve Housings



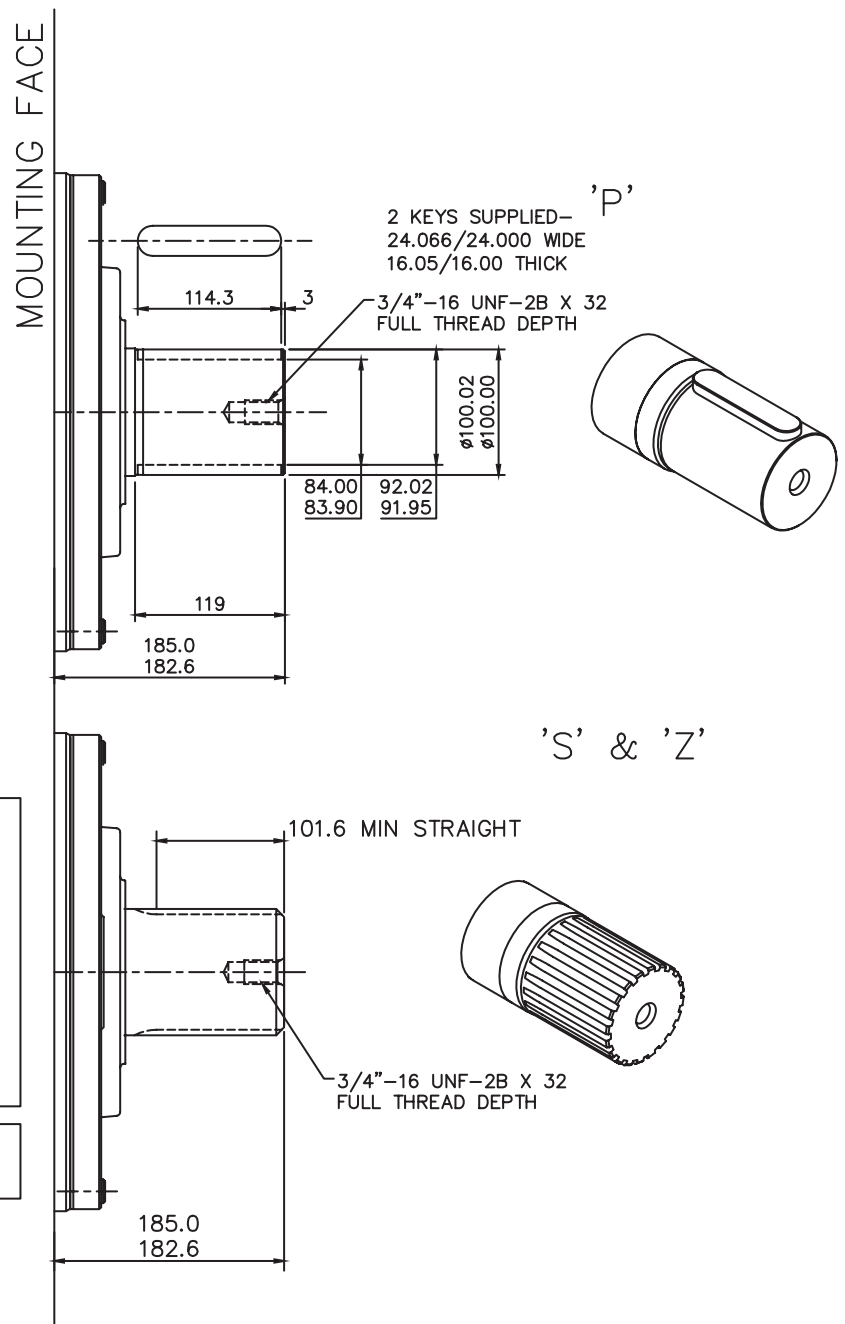
3-9 HM(HD)B325 (cont)

Installation



3-10 HMHDB400

◆ 'P', 'S' & 'Z' Shafts



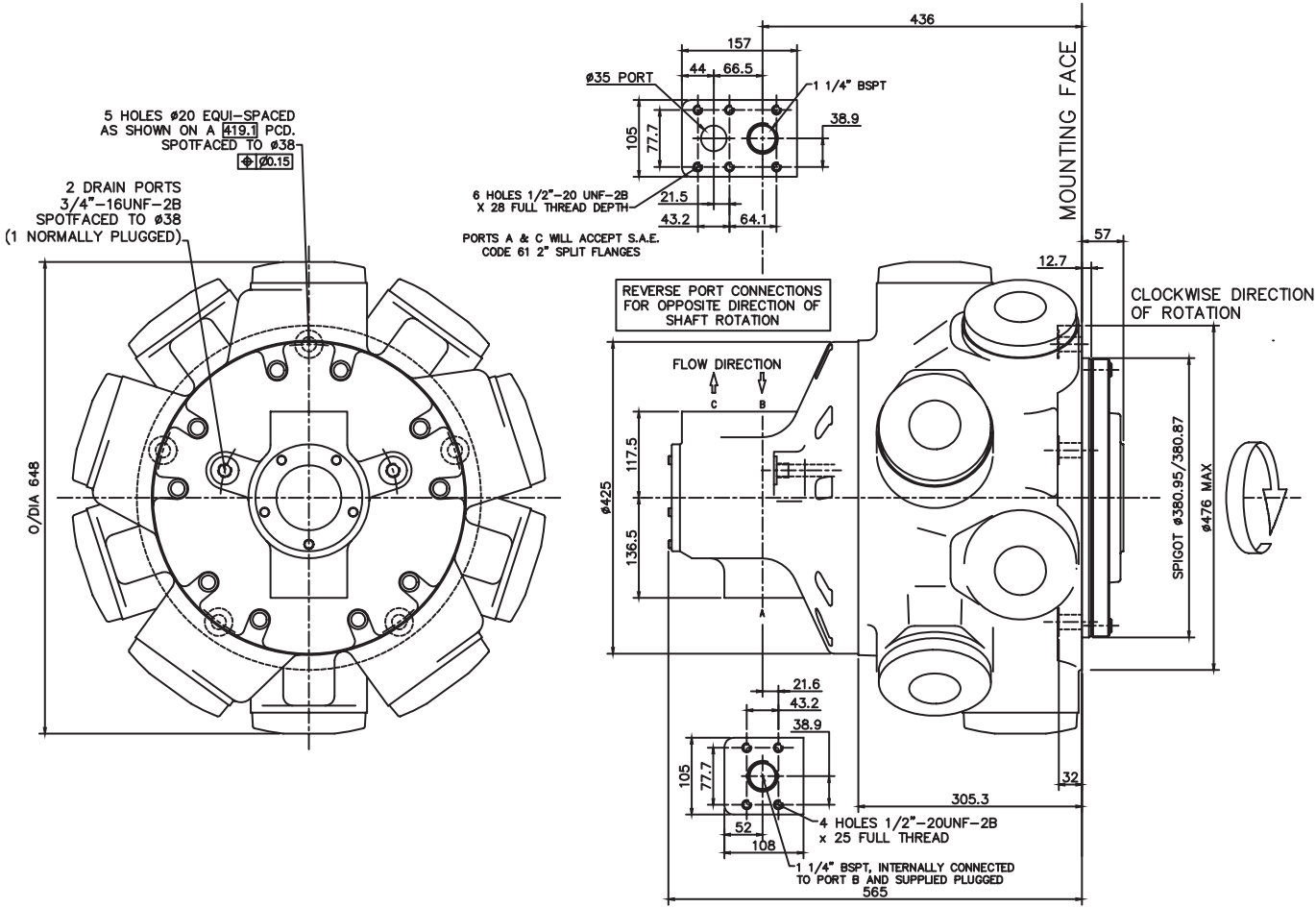
SPLINE DATA

'S'	
TO BS 3550 (ANSI B92.1, CLASS 5)	
FLAT ROOT SIDE FIT, CLASS 1	
PRESSURE ANGLE	30°
NUMBER OF TEETH	23
PITCH	6/12
MAJOR DIAMETER	100.653/100.526
FORM DIAMETER	92.939
MINOR DIAMETER	92.184/91.625
PIN DIAMETER	8.128
DIAMETER OVER PINS	109.573/109.517

'Z'	
DIN 5480 W100 x 4 x 24 x 7h	

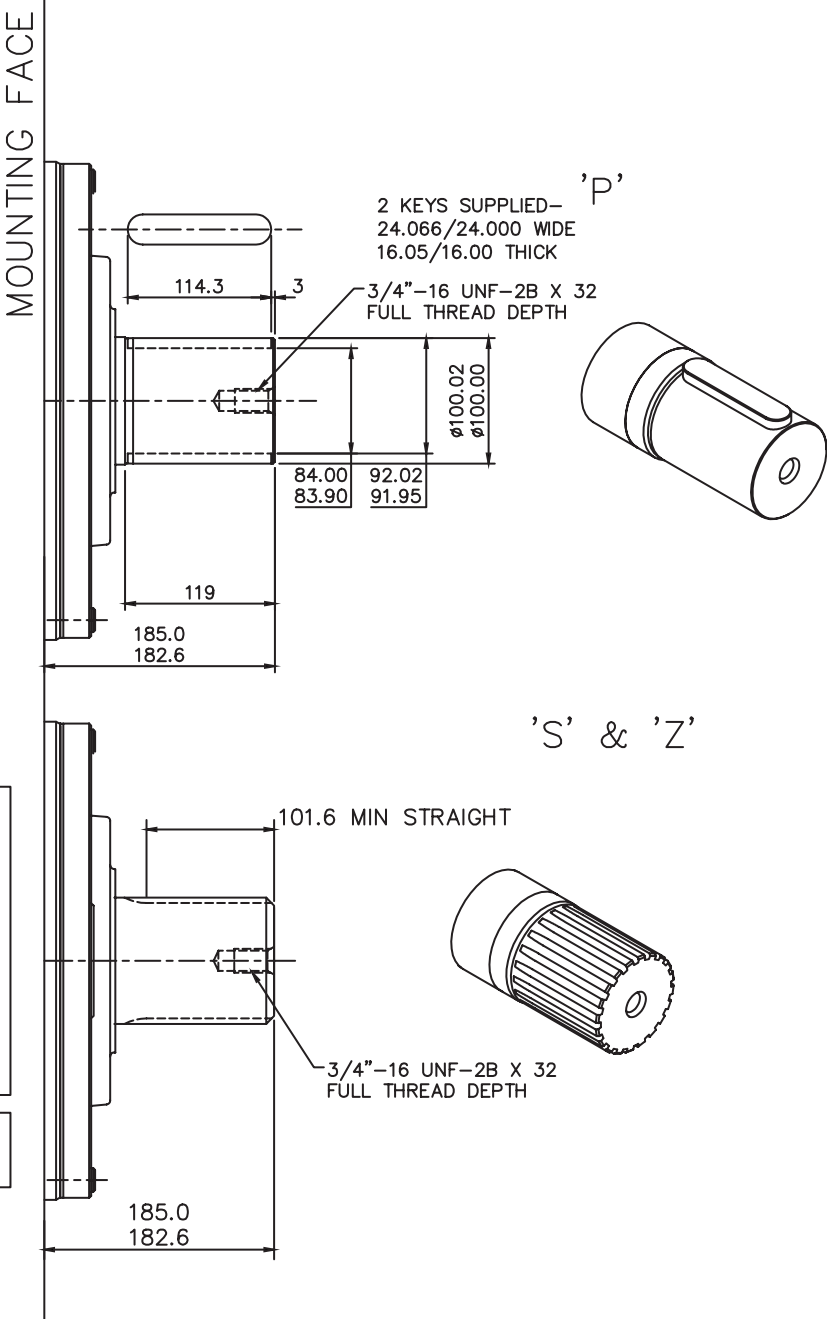
3-10 HMHDB400 (cont)

Installation



3-11 HMB500

'P', 'S' & 'Z' Shafts



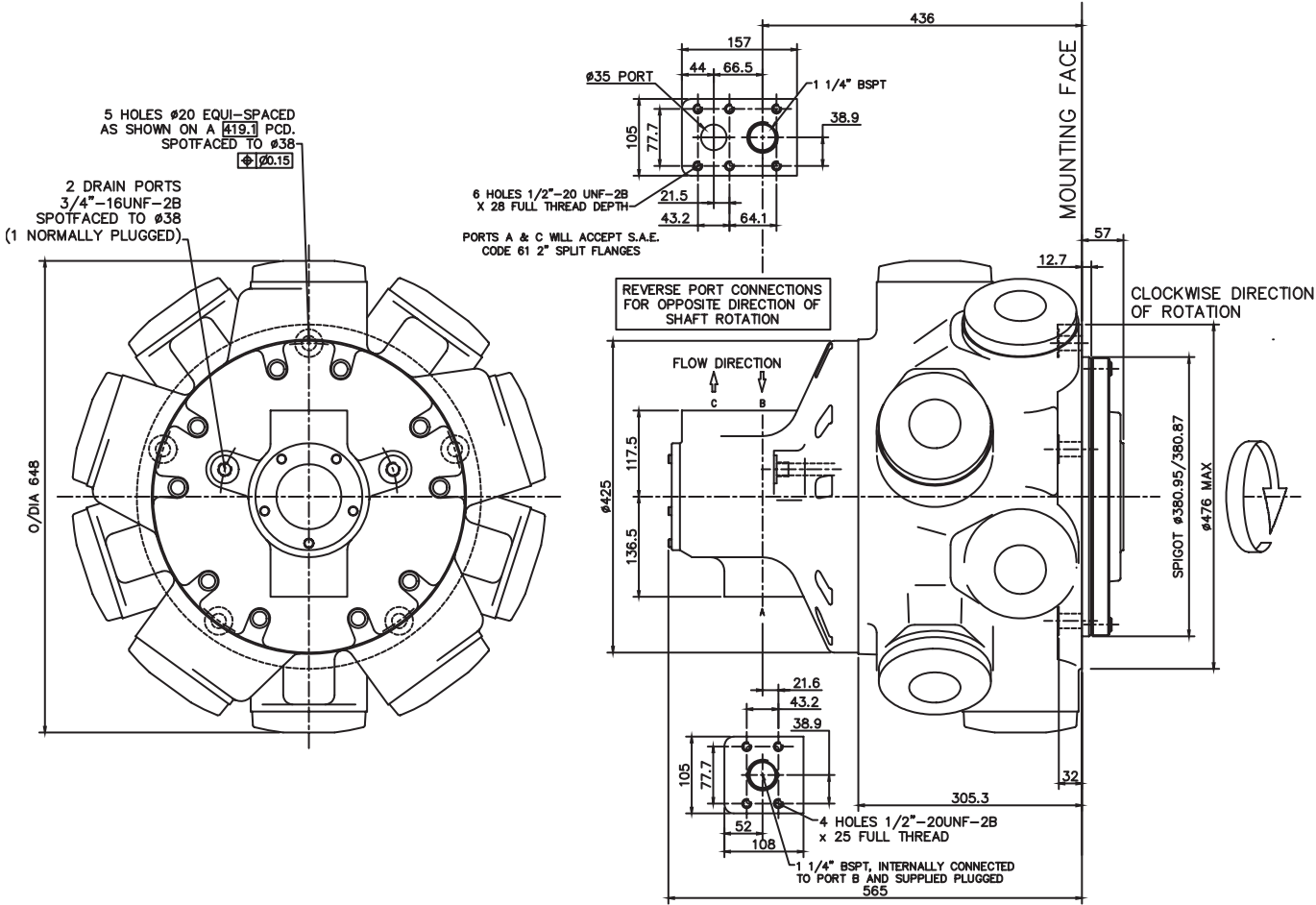
SPLINE DATA

'S'	
TO BS 3550 (ANSI B92.1, CLASS 5)	
FLAT ROOT SIDE FIT, CLASS 1	
PRESSURE ANGLE	30°
NUMBER OF TEETH	23
PITCH	6/12
MAJOR DIAMETER	100.653/100.526
FORM DIAMETER	92.939
MINOR DIAMETER	92.184/91.625
PIN DIAMETER	8.128
DIAMETER OVER PINS	109.573/109.517

'Z'	
DIN 5480 W100 x 4 x 24 x 7h	

3-11 HMB500 (cont)

Installation



NOTES

Conversion Table

Pressure	
bar	PSI
1	14.5
Flow	
l/min	gal/min
1	0.264 US
1	0.219 UK
Length	
mm	inch
25.4	1
Torque	
Nm	lbf ft
1	1.737
Power	
kW	hp
1	1.341
Mass	
kg	lb
1	2.2

**KAWASAKI PRECISION
MACHINERY (UK) LTD**

Ernesettle, Plymouth
Devon, PL5 2SA, England

Tel: +44 1752 364394
Fax: +44 1752 364816
Mail: info@kpm-uk.co.uk
Website: www.kpm-eu.com

OTHER GLOBAL SALES OFFICES

JAPAN

Kawasaki Heavy Industry Ltd, Precision Machinery Ltd. Tokyo Office World
Trade Center Bidg.
4-1 Hamamatsu-cho
2-chome, Minato-ku
Tokyo 105-6116
Japan
Tel: +81-3-3435-6862
Website: www.khi.co.jp/kpm

U.S.A

Kawasaki Precision Machinery (U.S.A.), Inc.
3838 Broadmoor Avenue S.E.
Grand Rapids
Michigan 49512
U.S.A.
Tel: +1-616-975-3101
Website: www.kpm-usa.com

CHINA

Kawasaki Precision Machinery Trading (Shanghai) Co., Ltd. 17th Floor (Room
1701), The Headquarters Building No168 XiZang Road (M)
Huangpu District
Shanghai 200001
China
Tel: +86-021-3366-3800

KOREA

Flutek, Ltd.
192-11, Shinchon-dong
Changwon
Kyungnam 641-370
Korea
Tel: +82-55-286-5551
Website: www.flutek.co.kr

**The specified data is for product description purposes only
and may not be deemed to be guaranteed unless expressly
confirmed in the contract.**

Data sheet: M-10.18